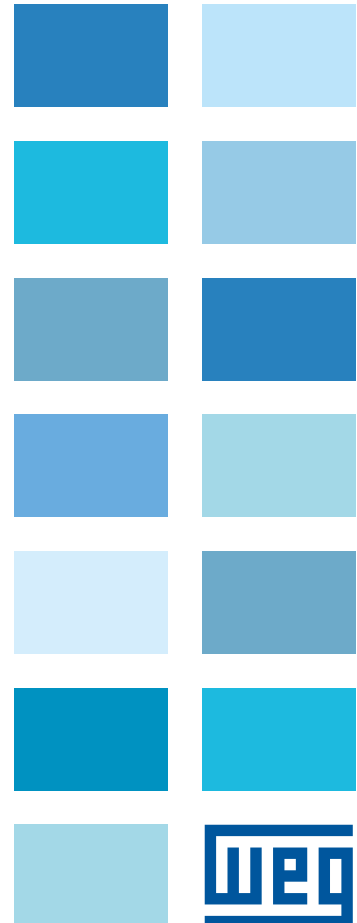
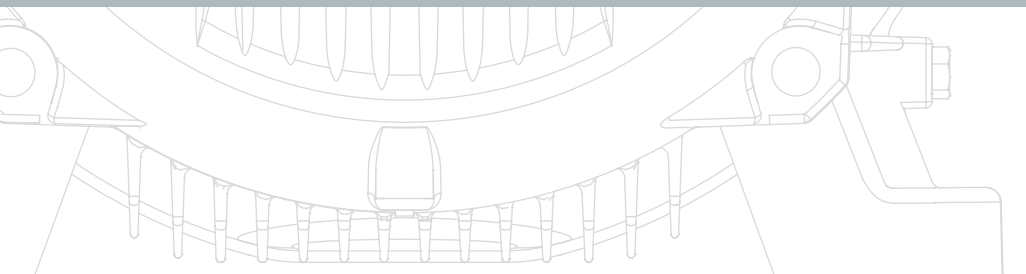
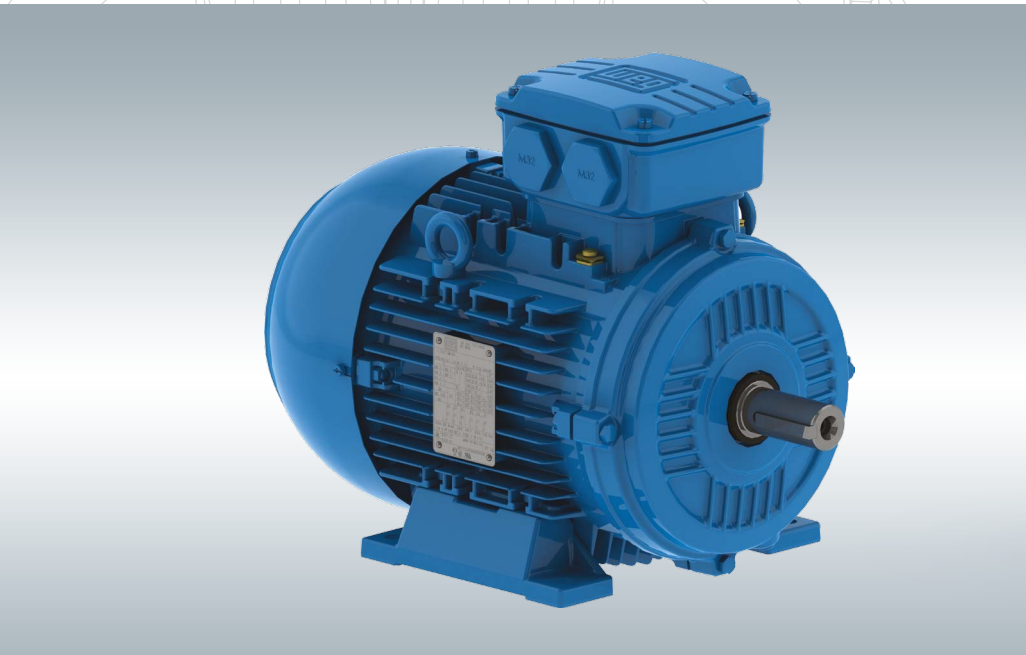
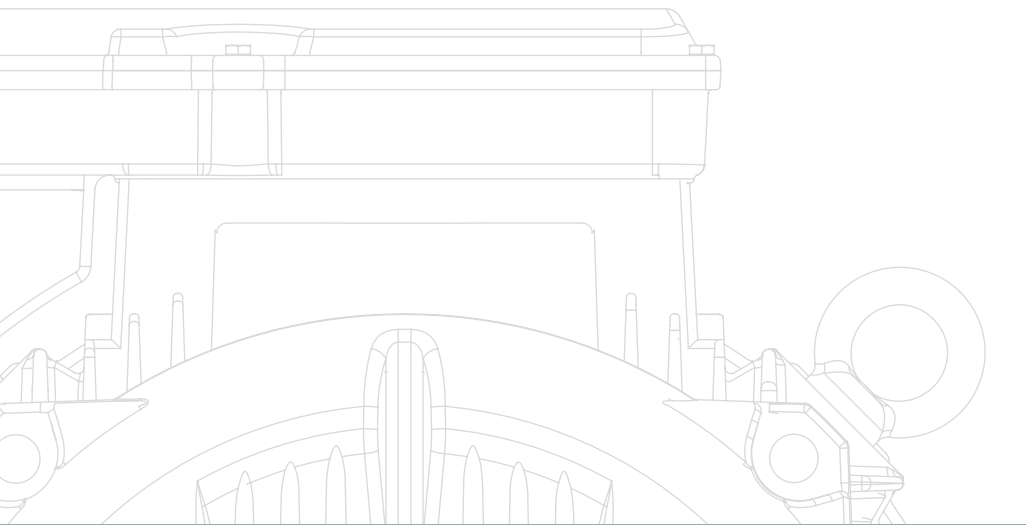


W21

Aluminium Multimounting Three-phase Electric Motor



W21 Aluminium Multimounting - Three-Phase Electric Motor

Looking for the best solution to meet the wide diversity and requirement of applications, WEG offers its W21 Aluminium Multimounting motor platform, recognized as of high reliability motors around the world, it is applied in the most varied industrial applications.

Standard Features

- Rated output: 0.12 to 37 kW
- Number of poles: 2, 4, 6 and 8
- Frame sizes IEC 63 to 200L
- Frequency: 50 or 60 Hz
- Voltage at 50 Hz: 220-240/380-415 V (up to 100 L)
380-415/660 V (from 112M and up);
- Voltage at 60 Hz: 220/380 V (up to 100 L)
380/660 V (from 112M and up);
- Insulation class F (DT 80 K)
- Design N
- Degree of protection: IP55
- Cooling method: IC411 according to DIN EN 60034-6
- Mounting: B3T
- Enclosure material: Aluminium die cast
- Endshields material: FC-200 cast iron
- Terminal box material: FC-200 cast iron
- Terminal block for motor connection
- Grounding: Simple grounding (Inside the terminal box and frame)
- Fan Material: Polypropylene
- Fan Cover Material: Steel
- Drain: Plastic automatically operated
- V'ring seal on both endshields
- Shaft material: AISI 1040/45
- Ball bearings
- Eyebolts for frames 112M to 200L
- Painting Plan:
 - 207 A - Synthetic enamel alkyd resin base (120 hours minimum ASTM B117 salt spray test) for frames up to 132
 - 203 A - Synthetic enamel alkyd resin base (240 hours minimum ASTM B117 salt spray test) for frames 160 to 200
- Thermal Protection (Thermistors) on windings for tripping at 155 °C for frames 160L to 200L
- WISE® Insulation System - Suitable for frequency inverter operation*

**For further information about frequency inverter operation, please contact WEG.*



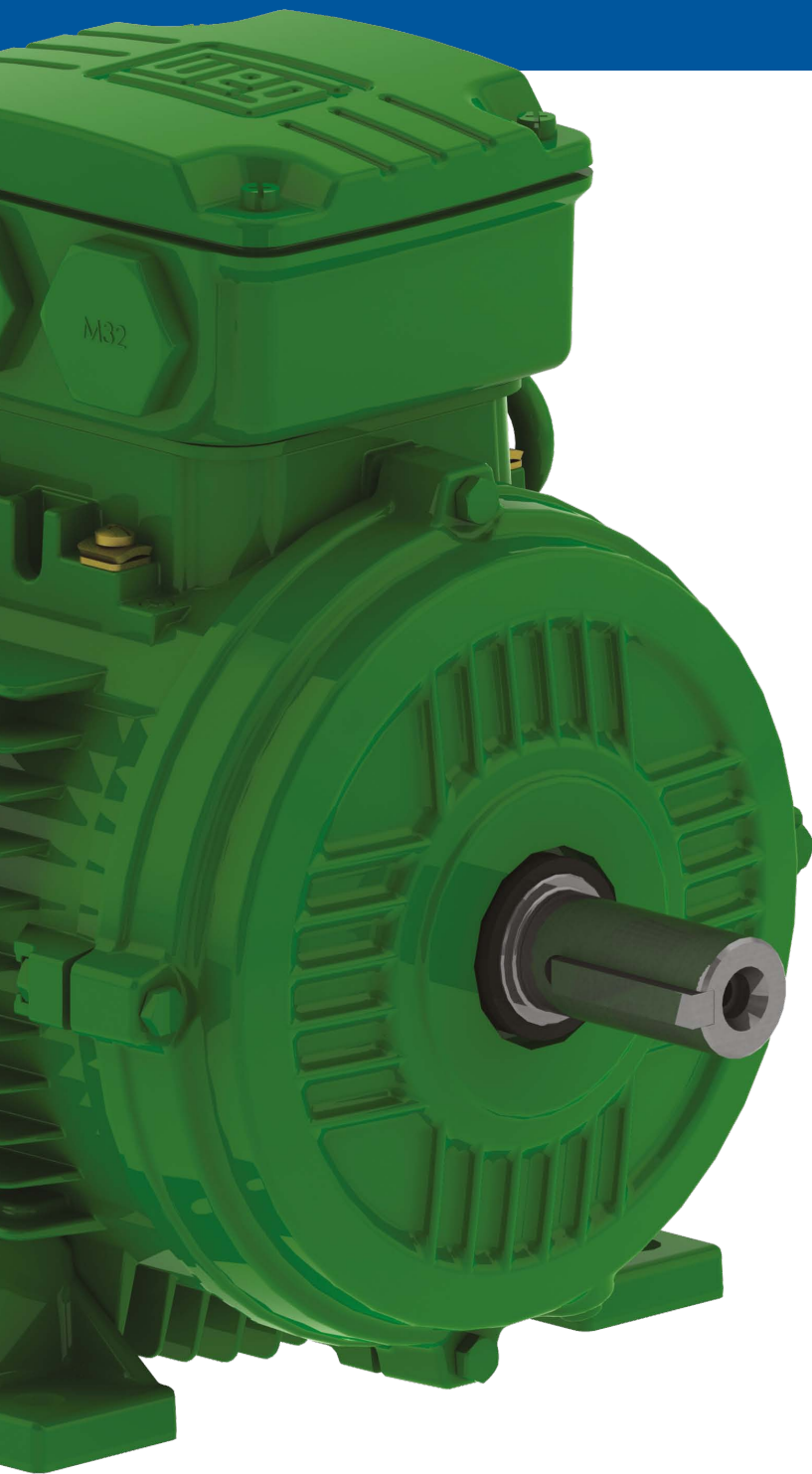


Optional Features

- Number of poles: 10, 12 or Multispeed motors
- Insulation Class H
- Thermal protections: Thermostats, Thermistors (PTC) or Thermoresistances (Pt-100) on winding
- Space Heaters
- Higher degree of protections, up to IP66
- Blower kit
- Other mounting configurations, including vertical and flange-mounted motors
- Accessories terminal box
- Cable glands made of plastic or brass
- Canopy for shaft down applications
- Fan material: Conductive plastic, aluminium or cast iron
- Shaft material: Stainless steel
- Double shaft end
- Special painting plans for aggressive environments
- Internal anticorrosive epoxy painting



Features and Benefits



Reliability

WEG W21 motors are a result of high technological design, premium quality components and a wide application experience. Today highly recognized for its quality, reliability and efficiency, the W21 Aluminium Multimounting motor incorporates the benefits of W21 General Purpose motors with the flexibility of the multimounting mechanical platform.

Performance

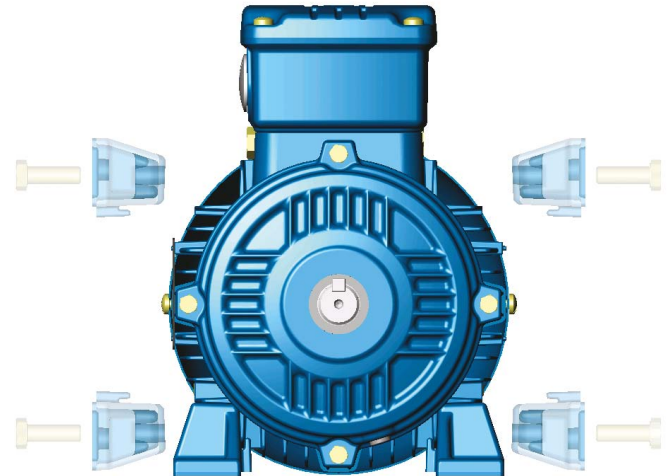
A significant percentage of the electrical energy utilized in industry around the world is consumed by electric motors, and, for this reason, the world seeks a path of sustainability and new ways to reduce energy consumption implementing Energy Efficiency Programs in order to reinforce the use of high efficiency motors.

The rated performance of the W21 Aluminium Multimounting motors exceeds all Minimum Energy Performance standards around the world. Aware of its responsibility, WEG offers the W21 Aluminium Multimounting motors in the Premium Efficiency – IE3 Efficiency Level, providing even lower consumption levels, resulting in reduction of the industry operational costs.

Flexible Construction

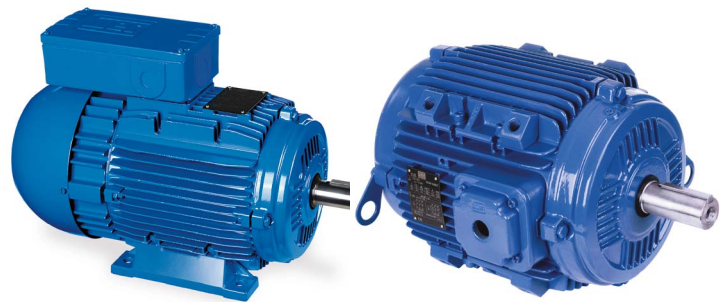
As the name suggests, W21 Aluminium Multimounting motors were specially designed to meet market requirements in reference to mounting flexibility since they allow all mounting positions. The foot mounting system offers great flexibility and it is quite simple allowing change on the mounting configuration without requiring any machining or modification on the motor feet. Motor terminal box can also be rotated at 90 degrees allowing motor leads to be connected on any motor side.

Besides that, these motors allow great advantage on standardization and stock flexibility due to the fact that just one motor is required with mounting possibility on all positions. Additionally, these motors are fully interchangeable with existing cast iron frame motors.



Definite Purpose Derived Lines

As a complete platform of industrial motors for a wide range of applications, the W21 Aluminium Multimounting motors line counts on, besides the General Purpose line, several definite purpose derived lines, such as Brake Motors, Single-Phase Motors and Fan & Exhaust Motors (TEAO). These definite purpose lines take advantage of W21 Aluminium Multimounting reliability and flexibility and are specifically designed to perfect suit all your application needs.



IE1 - Standard Efficiency - 50 Hz
IEC 60034-30

Table with 19 columns: Output (kW, HP), Frame, Full Load Torque (Nm), Locked Rotor Current I/In, Locked Rotor Torque Tl/Tn, Break-down Torque Tb/Tn, Inertia J (kgm2), Allowable locked rotor time (s) (Hot, Cold), Weight (kg), Sound dB(A), Rated speed (rpm), 400 V % of full load (Efficiency, Power Factor) (50, 75, 100), Full load current In (A)

Table with 19 columns: Output (kW, HP), Frame, Full Load Torque (Nm), Locked Rotor Current I/In, Locked Rotor Torque Tl/Tn, Break-down Torque Tb/Tn, Inertia J (kgm2), Allowable locked rotor time (s) (Hot, Cold), Weight (kg), Sound dB(A), Rated speed (rpm), 400 V % of full load (Efficiency, Power Factor) (50, 75, 100), Full load current In (A)

Table with 19 columns: Output (kW, HP), Frame, Full Load Torque (Nm), Locked Rotor Current I/In, Locked Rotor Torque Tl/Tn, Break-down Torque Tb/Tn, Inertia J (kgm2), Allowable locked rotor time (s) (Hot, Cold), Weight (kg), Sound dB(A), Rated speed (rpm), 400 V % of full load (Efficiency, Power Factor) (50, 75, 100), Full load current In (A)

Table with 19 columns: Output (kW, HP), Frame, Full Load Torque (Nm), Locked Rotor Current I/In, Locked Rotor Torque Tl/Tn, Break-down Torque Tb/Tn, Inertia J (kgm2), Allowable locked rotor time (s) (Hot, Cold), Weight (kg), Sound dB(A), Rated speed (rpm), 400 V % of full load (Efficiency, Power Factor) (50, 75, 100), Full load current In (A)

Note: (*) Class "F" insulation ΔT 105 K.



IE1 - Standard Efficiency - 50 Hz IEC 60034-30

Output		380 V								415 V							
		Rated speed (rpm)	% of full load						Full load current In (A)	Rated speed (rpm)	% of full load						Full load current In (A)
			Efficiency			Power Factor					Efficiency			Power Factor			
kW	HP	50	75	100	50	75	100		50	75	100	50	75	100			
0,12	0,16	2690	48,0	55,0	58,8	0,59	0,74	0,84	0,369	2735	43,0	51,0	53,5	0,52	0,64	0,75	0,416
0,18	0,25	2700	52,5	57,5	59,5	0,60	0,75	0,85	0,541	2750	47,8	54,5	58,0	0,52	0,64	0,76	0,568
0,25	0,33	2685	54,0	59,0	60,0	0,56	0,71	0,81	0,782	2740	50,0	55,5	59,0	0,47	0,60	0,72	0,806
0,37	0,5	2700	62,8	66,5	67,0	0,66	0,81	0,89	0,943	2750	60,0	65,5	67,0	0,55	0,70	0,81	0,948
0,55	0,75	2670	68,5	70,0	69,0	0,71	0,83	0,90	1,35	2730	65,0	69,0	70,1	0,60	0,73	0,84	1,30
0,75	1	2740	69,0	73,0	72,5	0,67	0,79	0,86	1,83	2790	63,0	70,5	72,5	0,51	0,67	0,78	1,85
1,1	1,5	2745	74,0	75,0	75,5	0,68	0,81	0,87	2,51	2790	71,0	74,5	75,5	0,54	0,70	0,80	2,51
1,5	2	2820	76,0	78,0	78,0	0,70	0,81	0,87	3,32	2855	74,0	78,0	78,0	0,57	0,71	0,80	3,29
2,2	3	2790	77,0	78,0	80,0	0,70	0,82	0,88	4,70	2820	77,0	78,0	80,0	0,57	0,72	0,82	4,58
3	4	2855	80,0	81,0	81,5	0,75	0,85	0,89	6,17	2880	80,0	81,0	82,0	0,64	0,77	0,84	5,95
4	5,5	2860	82,0	83,0	83,5	0,77	0,86	0,89	8,08	2885	80,0	82,5	84,0	0,66	0,78	0,85	7,72
5,5	7,5	2895	83,0	85,0	85,0	0,77	0,85	0,89	10,9	2915	82,0	84,5	85,5	0,66	0,78	0,84	10,5
5,5	7,5	2895	83,0	85,0	85,0	0,77	0,85	0,89	10,9	2915	82,0	84,5	85,5	0,66	0,78	0,84	10,5
7,5	10	2890	85,0	86,0	86,0	0,78	0,86	0,89	14,7	2910	84,0	86,5	86,5	0,66	0,78	0,84	14,2
9,2	12,5	2900	86,0	87,0	87,0	0,76	0,85	0,89	17,8	2915	85,0	87,0	87,0	0,63	0,76	0,83	17,4
11	15	2915	86,5	87,5	88,0	0,76	0,84	0,87	21,8	2935	85,0	86,5	88,0	0,67	0,78	0,84	20,7
15	20	2925	87,0	88,5	89,0	0,74	0,83	0,87	29,4	2940	86,5	88,0	89,0	0,64	0,76	0,83	28,2
18,5	25	2930	88,5	89,5	89,5	0,74	0,83	0,87	36,1	2940	87,0	89,5	89,5	0,63	0,75	0,82	35,1
22	30	2935	89,0	90,0	90,5	0,78	0,85	0,88	42,0	2950	89,0	90,0	90,5	0,70	0,80	0,85	39,8
30	40	2955	89,0	90,0	91,0	0,76	0,84	0,87	57,6	2965	89,0	90,0	91,0	0,64	0,76	0,82	55,9
37	50	2950	90,0	91,0	91,5	0,76	0,84	0,87	70,6	2960	88,0	91,0	91,5	0,66	0,77	0,83	67,8

II Poles

Optional Frames		380 V								415 V							
kW	HP	Rated speed (rpm)	% of full load						Full load current In (A)	Rated speed (rpm)	% of full load						Full load current In (A)
			Efficiency			Power Factor					Efficiency			Power Factor			
			50	75	100	50	75	100		50	75	100	50	75	100		
0,37	0,5	2710	69,5	71,7	71,0	0,62	0,75	0,83	0,954	2765	65,0	70,0	71,0	0,52	0,66	0,76	0,954
0,55	0,75	2785	74,0	76,0	76,0	0,75	0,83	0,88	1,25	2820	71,5	76,0	77,0	0,69	0,79	0,84	1,18
0,75	1	2790	69,5	71,5	72,5	0,70	0,80	0,87	1,77	2830	66,0	70,0	72,5	0,60	0,71	0,80	1,77
1,5	2	2750	76,0	77,0	77,5	0,75	0,85	0,89	3,35	2790	75,0	77,0	77,5	0,65	0,78	0,85	3,13
3	4	2800	80,0	81,0	81,5	0,61	0,74	0,81	6,90	2845	79,0	81,0	81,5	0,50	0,64	0,74	6,92
4	5,5	2850	80,0	81,0	83,1	0,77	0,84	0,88	8,42	2890	79,0	82,0	83,1	0,68	0,78	0,84	8,03
5,5	7,5	2860	85,0	85,0	85,5	0,83	0,89	0,91	10,5	2880	85,0	85,5	86,0	0,77	0,85	0,89	9,80
7,5	10	2850	85,5	86,0	86,0	0,66	0,79	0,85	15,4	2885	85,0	86,0	86,5	0,53	0,67	0,76	15,8
7,5	10	2890	85,0	86,0	86,0	0,78	0,86	0,89	14,7	2910	84,0	86,5	86,5	0,66	0,78	0,84	14,2
9,2	12,5	2925	85,7	87,8	88,0	0,77	0,85	0,88	18,1	2940	84,6	87,5	88,5	0,67	0,78	0,84	17,2
11	15	2910	87,0	88,0	88,0	0,76	0,84	0,88	21,3	2930	86,5	88,0	88,0	0,66	0,77	0,83	20,6
22	30	2925	89,0	89,5	90,0	0,77	0,85	0,88	42,2	2935	88,5	89,5	90,0	0,68	0,79	0,84	40,5
30	40	2940	92,0	92,3	92,3	0,78	0,84	0,88	56,1	2950	92,0	92,7	92,7	0,71	0,80	0,85	53,0

IV Poles

Optional Frames		380 V								415 V							
kW	HP	Rated speed (rpm)	% of full load						Full load current In (A)	Rated speed (rpm)	% of full load						Full load current In (A)
			Efficiency			Power Factor					Efficiency			Power Factor			
			50	75	100	50	75	100		50	75	100	50	75	100		
0,25	0,33	1405	54,0	61,0	63,0	0,49	0,60	0,70	0,861	1420	49,0	58,0	61,0	0,41	0,51	0,60	0,950
0,55	0,75	1370	69,0	72,0	72,5	0,51	0,63	0,72	1,60	1400	62,0	68,0	71,0	0,42	0,53	0,64	1,68
1,1	1,5	1370	68,0	72,0	75,0	0,61	0,76	0,86	2,80	1400	68,0	72,0	75,0	0,50	0,65	0,76	3,01
2,2	3	1390	78,0	79,0	80,0	0,65	0,75	0,83	5,03	1420	78,0	79,0	80,0	0,53	0,66	0,76	5,03
4	5,5	1380	81,0	82,0	83,1	0,69	0,80	0,85	8,83	1400	81,0	82,0	83,1	0,60	0,73	0,81	8,33
5,5	7,5	1425	85,0	86,0	85,7	0,77	0,88	0,91	10,7	1435	82,0	85,7	85,7	0,62	0,75	0,81	11,0
7,5	10	1450	85,5	86,0	86,0	0,71	0,82	0,87	15,1	1455	82,5	85,0	86,0	0,57	0,72	0,80	15,0
9,2	12,5	1450	86,0	87,0	88,0	0,73	0,82	0,85	18,7	1460	85,0	87,0	88,0	0,64	0,76	0,82	17,7
11	15	1455	86,5	87,0	87,6	0,68	0,79	0,83	23,0	1460	85,0	87,0	88,0	0,57	0,70	0,78	22,3
15	20	1455	88,0	88,5	89,0	0,72	0,82	0,85	30,1	1465	87,0	88,5	89,0	0,64	0,75	0,82	28,6
18,5	25	1465	89,0	89,5	89,5	0,71	0,81	0,85	36,9	1470	87,5	89,5	89,5	0,62	0,74	0,81	35,5
22	30	1460	89,5	90,2	90,2	0,73	0,82	0,86	43,1	1470	88,5	90,3	90,3	0,64	0,76	0,82	41,3
30	40	1470	90,0	91,0	91,0	0,73	0,81	0,85	58,9	1475	88,5	90,0	91,0	0,63	0,75	0,81	56,6

Note:
(*) Class "F" insulation ΔT 105 K.

IE1 - Standard Efficiency - 50 Hz

IEC 60034-30

Output		Frame	Full Load Torque (Nm)	Locked Rotor Current I _L /I _n	Locked Rotor Torque T _L /T _n	Break-down Torque T _b /T _n	Inertia J (kgm ²)	Allowable locked rotor time (s)		Weight (kg)	Sound dB(A)	400 V						Full load current I _n (A)	
								Hot	Cold			Rated speed (rpm)	% of full load			50	75		100
													Efficiency	Power Factor					

VI Poles

0,12	0,16	63	1,34	2,6	1,7	1,6	0,0005	46	101	6,7	43,0	855	40,7	46,7	45,5	0,49	0,60	0,71	0,536
0,18	0,25	71	1,90	3,3	2,0	2,2	0,0008	50	110	10,5	43,0	905	46,0	54,0	57,0	0,46	0,55	0,62	0,735
0,25	0,33	71	2,65	3,5	2,2	2,2	0,0009	43	95	11,5	43,0	900	53,0	60,5	64,0	0,40	0,50	0,57	0,989
0,37	0,5	80	3,91	3,6	1,7	1,7	0,0019	16	35	12,1	43,0	905	55,0	60,0	63,0	0,50	0,64	0,75	1,13
0,55	0,75	80	5,65	4,5	2,3	2,3	0,0030	10	22	15,5	43,0	930	60,0	65,0	67,0	0,50	0,63	0,73	1,62
0,75	1	90S/L	7,87	4,2	1,9	2,0	0,0045	16	35	19,1	45,0	910	70,0	70,0	71,0	0,55	0,69	0,79	1,89
1,1	1,5	90S/L	11,4	4,8	2,7	2,7	0,0062	9	20	22,0	45,0	925	70,0	71,0	73,0	0,47	0,60	0,72	3,04
1,5	2	100L	15,8	4,1	2,0	2,2	0,0090	17	37	25,0	44,0	910	72,0	75,5	75,5	0,51	0,65	0,73	3,90
2,2	3	112M	22,4	5,0	2,2	2,3	0,0165	14	31	34,5	52,0	940	76,0	78,5	78,5	0,53	0,66	0,74	5,36
3	4	132S	30,0	5,3	2,0	2,2	0,0340	20	44	55,0	53,0	955	78,0	80,5	80,5	0,58	0,70	0,77	6,82
4	5,5	132M	39,8	5,8	2,3	2,4	0,0446	19	42	59,0	53,0	960	80,0	81,5	82,0	0,54	0,66	0,74	9,27
5,5	7,5	132M	54,7	6,4	2,7	2,8	0,0581	15	33	73,0	53,0	960	81,0	83,5	84,0	0,49	0,62	0,71	13,0
7,5	10	160M/L	74,3	5,7	2,2	2,5	0,1051	11	24	88,0	56,0	965	84,0	85,0	85,5	0,64	0,76	0,83	15,3
9,2	12,5	160M/L	91,1	6,0	2,0	2,6	0,1261	10	22	103	56,0	965	85,0	86,0	86,0	0,63	0,75	0,82	18,8
11	15	160M/L	109	6,0	2,2	2,6	0,1541	11	24	113	56,0	965	86,5	87,0	87,0	0,65	0,77	0,83	22,0
15	20	180M/L	147	7,5	2,3	2,7	0,2981	7	15	147	56,0	975	88,0	89,0	89,0	0,76	0,84	0,88	27,6
18,5	25	200M/L	181	6,0	2,1	2,5	0,3335	11	24	183	58,0	975	88,0	89,0	89,0	0,64	0,76	0,82	36,6
22	30	200M/L	216	6,0	2,3	2,4	0,4037	14	31	205	58,0	975	88,5	90,5	90,5	0,70	0,79	0,84	41,8

Optional Frames

3	4	112M	29,9	6,3	2,6	2,6	0,0257	10	22	46,0	52,0	960	77,0	80,0	82,0	0,53	0,65	0,73	7,06
3	4	132M	30,0	5,3	2,0	2,2	0,0340	20	44	55,0	53,0	955	78,0	80,5	80,5	0,58	0,70	0,77	6,82
4	5,5	132S	39,8	5,8	2,3	2,4	0,0446	19	42	59,0	53,0	960	80,0	81,5	82,0	0,54	0,66	0,74	9,27

VIII Poles

0,12	0,16	71	1,74	2,2	2,1	2,0	0,0008	84	185	10,7	41,0	660	36,3	43,4	45,6	0,37	0,45	0,53	0,717
0,18	0,25	80	2,47	2,8	2,2	2,4	0,0021	29	64	12,6	42,0	695	36,2	44,1	48,6	0,45	0,53	0,62	0,862
0,25	0,33	80	3,41	3,5	2,3	2,2	0,0028	24	53	14,2	42,0	700	46,1	53,6	56,6	0,42	0,52	0,61	1,05
0,37	0,5	90S/L	5,16	3,0	1,9	1,8	0,0039	32	70	15,4	43,0	685	50,6	56,5	57,4	0,44	0,55	0,64	1,45
0,55	0,75	90S/L	7,79	3,3	1,9	2,0	0,0056	25	55	16,5	43,0	675	58,0	60,0	60,0	0,43	0,56	0,66	2,01
0,75	1	100L	10,2	3,5	1,8	2,4	0,0079	33	73	23,8	50,0	705	62,0	67,2	67,8	0,42	0,53	0,62	2,58
1,1	1,5	100L	15,0	4,0	1,7	2,3	0,0118	27	59	28,5	50,0	700	69,3	72,3	71,2	0,45	0,57	0,66	3,38
1,5	2	112M	20,5	4,2	2,2	2,2	0,0178	26	57	33,4	46,0	700	73,7	75,4	73,5	0,48	0,61	0,70	4,21
2,2	3	132S	29,6	6,1	2,5	2,8	0,0602	22	48	55,3	48,0	710	75,8	78,0	77,1	0,55	0,68	0,77	5,35
3	4	132M	40,4	6,1	2,2	2,6	0,0728	18	40	65,0	48,0	710	78,5	80,1	79,0	0,55	0,68	0,76	7,21
4	5,5	160M/L	52,7	4,7	2,2	2,4	0,0000	18	40	85,0	51,0	725	80,0	82,0	82,0	0,50	0,63	0,72	9,78
5,5	7,5	160M/L	72,5	4,8	2,2	2,3	0,0000	18	40	95,0	51,0	725	81,0	83,0	83,5	0,48	0,62	0,71	13,4
7,5	10	160M/L	98,8	4,7	2,2	2,3	0,0000	16	35	110	51,0	725	83,0	85,0	85,5	0,50	0,64	0,73	17,3
9,2	12,5	180M/L	120	6,7	2,2	2,9	0,0000	11	24	147	51,0	730	83,0	86,0	85,9	0,64	0,75	0,81	19,1
11	15	180M/L	145	6,8	2,3	2,5	0,0000	11	24	145	51,0	725	87,0	88,5	88,3	0,68	0,79	0,84	21,4
15	20	200M/L	196	4,6	2,0	2,1	0,0000	23	51	187	53,0	730	86,5	88,6	89,0	0,56	0,68	0,75	32,4



IE1 - Standard Efficiency - 50 Hz IEC 60034-30

Output		380 V								415 V							
		Rated speed (rpm)	% of full load						Full load current In (A)	Rated speed (rpm)	% of full load						Full load current In (A)
			Efficiency			Power Factor					Efficiency			Power Factor			
kW	HP	50	75	100	50	75	100	50	75	100	50	75	100	50	75	100	

VI Poles

0,12	0,16	845	46,2	50,6	47,6	0,52	0,64	0,76	0,504	860	36,2	42,8	43,2	0,48	0,57	0,67	0,577
0,18	0,25	895	49,0	55,5	57,5	0,49	0,59	0,65	0,732	910	43,0	52,0	56,5	0,44	0,52	0,59	0,751
0,25	0,33	890	56,0	63,0	65,3	0,44	0,55	0,61	0,954	905	50,0	58,0	62,5	0,37	0,46	0,54	1,03
0,37	0,5	890	57,0	62,0	65,0	0,54	0,69	0,80	1,08	910	55,0	60,0	62,0	0,47	0,60	0,72	1,15
0,55	0,75	920	62,0	65,8	68,0	0,54	0,67	0,77	1,60	935	58,0	64,0	66,0	0,47	0,59	0,68	1,70
0,75	1	895	69,0	70,0	71,0	0,61	0,75	0,83	1,91	915	68,0	69,0	70,0	0,52	0,66	0,76	1,93
1,1	1,5	915	71,0	72,0	73,0	0,52	0,67	0,77	2,87	930	69,0	70,0	73,0	0,42	0,55	0,67	3,15
1,5	2	900	72,0	75,5	75,5	0,57	0,70	0,77	3,75	920	72,0	74,0	75,5	0,46	0,60	0,69	4,08
2,2	3	930	77,0	78,5	78,5	0,58	0,70	0,76	5,52	950	74,0	78,5	78,5	0,50	0,63	0,72	5,28
3	4	950	79,0	80,0	80,0	0,61	0,72	0,79	7,04	960	77,0	80,5	80,5	0,53	0,66	0,74	6,83
4	5,5	960	80,0	82,0	82,0	0,58	0,73	0,78	9,50	965	78,0	81,0	82,0	0,52	0,64	0,72	9,21
5,5	7,5	960	82,0	83,5	84,0	0,56	0,69	0,75	13,0	965	79,0	82,0	84,0	0,45	0,57	0,66	13,6
7,5	10	960	84,0	85,0	85,0	0,69	0,80	0,85	15,8	965	84,5	85,5	85,5	0,61	0,73	0,80	15,3
9,2	12,5	960	85,0	86,0	86,0	0,68	0,79	0,84	19,3	970	85,0	86,0	86,0	0,59	0,72	0,80	18,6
11	15	960	86,5	87,0	87,0	0,70	0,80	0,85	22,6	970	86,0	87,0	87,0	0,61	0,74	0,81	21,7
15	20	970	88,0	88,5	88,5	0,80	0,86	0,89	28,9	975	88,0	89,0	89,0	0,73	0,82	0,87	27,0
18,5	25	975	88,5	89,0	89,0	0,69	0,80	0,84	37,6	980	87,0	89,0	89,0	0,60	0,73	0,80	36,1
22	30	970	89,0	90,5	90,5	0,74	0,82	0,85	43,5	980	88,0	90,3	90,5	0,66	0,76	0,82	41,2

Optional Frames

3	4	955	78,0	80,0	82,0	0,59	0,70	0,76	7,15	965	75,0	80,0	82,0	0,48	0,60	0,69	7,20
3	4	950	79,0	80,0	80,0	0,61	0,72	0,79	7,04	960	77,0	80,5	80,5	0,53	0,66	0,74	6,83
4	5,5	960	80,0	82,0	82,0	0,58	0,73	0,78	9,50	965	78,0	81,0	82,0	0,52	0,64	0,72	9,21

VIII Poles

0,12	0,16	650	41,0	47,1	47,6	0,39	0,48	0,57	0,672	670	32,7	40,3	43,2	0,36	0,43	0,50	0,773
0,18	0,25	690	40,7	47,7	50,6	0,47	0,57	0,66	0,819	700	32,8	41,2	46,1	0,43	0,51	0,59	0,921
0,25	0,33	690	49,0	55,6	57,2	0,45	0,56	0,65	1,02	700	43,1	51,7	55,6	0,40	0,50	0,58	1,08
0,37	0,5	680	54,4	59,0	58,3	0,48	0,60	0,69	1,40	690	46,6	53,8	56,1	0,41	0,51	0,61	1,50
0,55	0,75	665	61,7	62,0	60,0	0,47	0,60	0,70	1,99	680	54,8	59,0	59,0	0,41	0,52	0,62	2,09
0,75	1	695	65,6	69,0	68,0	0,46	0,58	0,66	2,54	710	58,3	64,6	66,7	0,39	0,49	0,58	2,70
1,1	1,5	690	72,1	73,6	70,8	0,50	0,62	0,70	3,37	705	66,2	70,7	70,7	0,41	0,53	0,62	3,49
1,5	2	690	75,9	76,2	73,2	0,52	0,65	0,73	4,27	705	71,6	74,2	73,1	0,44	0,57	0,66	4,33
2,2	3	705	77,1	78,3	76,7	0,60	0,73	0,80	5,45	715	74,7	77,5	77,1	0,52	0,65	0,74	5,36
3	4	705	79,7	80,5	78,6	0,60	0,73	0,80	7,25	715	77,1	79,6	79,0	0,51	0,64	0,73	7,24
4	5,5	720	81,0	83,0	82,0	0,54	0,67	0,75	9,88	725	78,5	82,0	82,5	0,46	0,60	0,69	9,78
5,5	7,5	720	82,0	84,0	83,0	0,54	0,67	0,74	13,6	725	80,0	82,5	83,0	0,45	0,58	0,68	13,6
7,5	10	715	84,0	85,0	85,0	0,56	0,69	0,76	17,6	725	81,0	84,0	85,5	0,47	0,60	0,70	17,4
9,2	12,5	725	84,0	86,1	85,5	0,69	0,79	0,84	19,5	730	82,0	85,9	85,9	0,59	0,72	0,79	18,9
11	15	720	87,5	88,3	87,8	0,71	0,81	0,85	22,4	730	86,5	88,6	88,5	0,65	0,77	0,83	20,8
15	20	725	87,5	88,9	88,9	0,61	0,72	0,77	33,3	730	85,5	88,3	88,9	0,50	0,64	0,72	32,6





IE2 - High Efficiency - 50 Hz

IEC 60034-30

Output		Frame	Full Load Torque (Nm)	Locked Rotor Current I _L /I _n	Locked Rotor Torque T _L /T _n	Break-down Torque T _b /T _n	Inertia J (kgm ²)	Allowable locked rotor time (s)		Weight (kg)	Sound dB(A)	Rated speed (rpm)	400 V						Full load current I _n (A)
kW	HP							% of full load											
								Efficiency					Power Factor						
				50	75	100	50	75	100										
0,12	0,16	63	0,410	4,8	3,0	2,9	0,0001	37	81	5,7	52,0	2790	53,0	60,0	61,0	0,53	0,66	0,75	0,379
0,18	0,25	63	0,620	4,6	2,9	2,8	0,0001	28	62	6,2	52,0	2770	56,0	62,0	63,0	0,54	0,68	0,78	0,529
0,25	0,33	63	0,870	4,7	3,2	2,9	0,0002	24	53	6,7	52,0	2760	58,0	64,0	65,0	0,53	0,67	0,78	0,712
0,37	0,5	71	1,25	5,8	2,5	2,6	0,0003	12	26	6,5	56,0	2830	68,0	70,0	71,0	0,60	0,75	0,84	0,895
0,55	0,75	71	1,89	5,8	2,4	2,4	0,0005	9	20	10,0	56,0	2780	70,0	72,0	72,0	0,68	0,82	0,88	1,25
0,75	1	80	2,56	6,5	2,8	2,8	0,0007	14	31	12,5	59,0	2800	76,0	78,5	79,5	0,67	0,80	0,86	1,58
1,1	1,5	80	3,77	6,5	2,8	2,8	0,0008	10	22	14,0	59,0	2790	78,0	80,0	80,0	0,67	0,79	0,85	2,33
1,5	2	90S/L	5,00	7,0	2,6	2,8	0,0016	7	15	17,5	62,0	2865	80,0	82,0	82,0	0,63	0,76	0,83	3,14
2,2	3	90S/L	7,40	6,6	3,0	3,0	0,0022	9	20	21,0	62,0	2840	83,0	83,6	83,6	0,63	0,76	0,83	4,58
3	4	100L	9,95	8,0	2,4	2,8	0,0051	7	15	28,5	67,0	2880	84,0	85,0	85,0	0,70	0,81	0,86	5,92
4	5,5	112M	13,3	7,0	2,0	2,8	0,0066	10	22	38,0	64,0	2880	86,0	86,0	86,0	0,73	0,83	0,88	7,63
5,5	7,5	132S	18,1	6,8	2,2	3,0	0,0162	17	37	60,0	67,0	2910	86,5	88,0	88,0	0,68	0,79	0,85	10,6
7,5	10	132S	24,6	6,8	2,2	2,9	0,0198	13	29	63,0	67,0	2910	88,0	88,5	88,5	0,72	0,82	0,87	14,1
9,2	12,5	132M	30,2	7,6	2,5	3,2	0,0234	10	22	70,0	67,0	2915	88,5	89,0	89,0	0,70	0,81	0,86	17,3
11	15	160M/L	35,8	8,0	2,5	3,3	0,0421	10	22	73,0	70,0	2940	89,0	90,0	90,0	0,70	0,80	0,85	20,8
15	20	160M/L	48,8	7,5	2,4	3,3	0,0506	10	22	88,0	70,0	2935	90,0	90,7	90,7	0,74	0,83	0,87	27,4
18,5	25	160M/L	60,1	8,5	2,5	3,2	0,0590	8	18	108	70,0	2940	91,0	91,2	91,2	0,73	0,83	0,85	34,4
22	30	180M/L	71,5	7,5	2,5	3,0	0,0975	10	22	164	70,0	2940	91,5	91,6	91,6	0,76	0,85	0,87	39,8
30	40	200M/L	97,0	7,0	2,3	2,5	0,1532	18	40	160	74,0	2955	92,0	92,2	92,2	0,74	0,84	0,88	53,4
37	50	200M/L	120	7,0	2,6	2,7	0,1703	12	26	180	74,0	2955	91,9	93,1	93,1	0,74	0,83	0,86	66,7

II Poles

Optional Frames

0,37	0,5	63	1,29	4,5	3,1	2,8	0,0002	20	44	7,2	52,0	2730	64,0	67,0	68,0	0,57	0,72	0,82	0,958
0,75	1	71	2,59	5,8	2,8	2,8	0,0005	14	31	9,0	56,0	2770	77,0	77,5	77,5	0,67	0,80	0,87	1,60
0,75	1	90S/L	2,51	6,5	2,7	2,8	0,0012	25	55	15,5	62,0	2850	77,0	79,0	79,0	0,61	0,73	0,80	1,71
1,1	1,5	90S/L	3,71	6,1	2,5	2,6	0,0014	16	35	16,5	62,0	2835	80,0	80,5	80,5	0,65	0,77	0,83	2,38
1,5	2	80	5,17	6,5	3,1	3,0	0,0009	15	33	15,0	59,0	2770	80,0	81,0	81,5	0,65	0,78	0,85	3,13
2,2	3	100L	7,29	7,5	2,6	3,0	0,0043	15	33	26,5	67,0	2885	82,5	83,6	83,6	0,66	0,78	0,85	4,47
3	4	90S/L	10,1	7,1	3,4	3,4	0,0030	9	20	25,0	62,0	2840	84,0	84,6	84,6	0,61	0,75	0,82	6,24
4	5,5	100L	13,3	7,8	3,0	3,4	0,0064	10	22	32,0	67,0	2870	85,2	85,8	85,8	0,67	0,80	0,86	7,82
5,5	7,5	112M	18,3	7,3	2,7	3,0	0,0088	11	24	42,0	64,0	2880	86,5	87,0	87,0	0,72	0,82	0,87	10,5
5,5	7,5	132M	18,1	6,8	2,2	3,0	0,0162	17	37	60,0	67,0	2910	86,5	88,0	88,0	0,68	0,79	0,85	10,6
7,5	10	112M	25,0	7,9	3,0	3,4	0,0110	10	22	45,0	64,0	2870	87,3	88,1	88,1	0,67	0,79	0,85	14,5
7,5	10	132M	24,6	6,8	2,2	2,9	0,0198	13	29	63,0	67,0	2910	88,0	88,5	88,5	0,72	0,82	0,87	14,1

IV Poles

0,12	0,16	63	0,830	3,9	1,8	2,0	0,0004	51	112	5,7	44,0	1380	55,0	58,0	59,0	0,54	0,67	0,77	0,381
0,18	0,25	63	1,25	4,3	2,2	2,2	0,0006	40	88	7,2	44,0	1380	59,0	61,0	61,0	0,55	0,68	0,77	0,553
0,25	0,33	71	1,71	4,5	2,0	2,2	0,0006	68	150	7,0	43,0	1400	59,0	65,0	66,0	0,49	0,62	0,71	0,780
0,37	0,5	71	2,56	4,3	2,0	2,0	0,0007	48	106	8,0	43,0	1380	63,0	66,0	68,0	0,50	0,64	0,74	1,06
0,55	0,75	80	3,70	6,0	2,2	2,5	0,0022	18	40	10,5	44,0	1420	72,0	75,5	76,0	0,60	0,73	0,82	1,27
0,75	1	80	5,08	6,0	2,6	2,9	0,0029	15	33	13,5	44,0	1410	79,0	79,6	79,8	0,63	0,76	0,83	1,63
1,1	1,5	90S/L	7,25	6,5	2,1	2,6	0,0049	9	20	19,0	49,0	1450	80,0	81,8	81,8	0,60	0,73	0,81	2,40
1,5	2	90S/L	9,95	6,3	2,0	2,8	0,0055	10	22	22,0	49,0	1440	81,5	83,0	83,0	0,57	0,72	0,80	3,26
2,2	3	100L	14,7	7,0	3,1	3,2	0,0082	11	24	30,5	53,0	1435	83,0	84,5	84,5	0,60	0,73	0,81	4,64
3	4	100L	20,2	6,5	3,2	3,3	0,0097	14	31	33,0	53,0	1420	85,0	85,6	85,6	0,64	0,76	0,82	6,17
4	5,5	112M	26,5	6,6	2,0	2,6	0,0156	13	29	42,0	56,0	1440	86,0	86,7	86,7	0,64	0,76	0,82	8,12
5,5	7,5	132S	36,0	7,3	1,9	3,0	0,0416	8	18	63,0	56,0	1460	87,5	88,0	88,1	0,68	0,80	0,86	10,5
7,5	10	132M	49,3	7,2	2,0	3,0	0,0528	8	18	72,0	56,0	1455	88,7	89,0	89,0	0,71	0,81	0,86	14,1
9,2	12,5	132M	60,4	7,7	2,2	3,2	0,0604	7	15	75,0	56,0	1455	89,2	89,5	89,5	0,70	0,81	0,86	17,3
11	15	160M/L	72,2	6,0	2,5	2,6	0,0779	12	26	88,0	67,0	1455	90,0	90,1	90,1	0,68	0,78	0,83	21,2
15	20	160M/L	97,8	6,1	2,5	2,6	0,1023	12	26	118	67,0	1465	90,0	90,9	90,9	0,63	0,75	0,80	29,8
18,5	25	180M/L	120	8,0	2,9	2,9	0,1573	10	22	184	64,0	1470	91,0	91,4	91,4	0,65	0,76	0,82	35,6
22	30	180M/L	143	7,9	2,8	2,9	0,2010	10	22	169	64,0	1465	91,8	92,0	92,0	0,71	0,81	0,86	40,1
30	40	200M/L	194	7,0	2,5	2,6	0,2941	10	22	203	69,0	1475	92,2	92,6	92,6	0,67	0,78	0,83	56,3
37	50	200M/L	241	6,0	2,1	2,5	0,3721	14	31	207	69,0	1470	92,8	93,0	93,0	0,70	0,80	0,83	69,2

Optional Frames

0,55	0,75	71	3,92	4,1	2,4	2,2	0,0008	29	64	9,5	43,0	1340	68,0	70,5	70,5	0,50	0,64	0,74	1,52
1,1	1,5	80	7,51	6,6	2,6	2,8	0,0038	11	24	15,5	44,0	1400	80,5	81,4	81,4	0,66	0,79	0,84	2,32
2,2	3	90S/L	14,7	7,4	2,4	2,9	0,0000	9	20	24,0	49,0	1430	83,8	84,3	84,3	0,60	0,74	0,82	4,59
5,5	7,5	112M	36,5	7,1	2,7	3,0	0,0208	11	24	46,0	56,0	1440	87,0	87,7	87,7	0,57	0,70	0,78	11,6
5,5	7,5	132M	36,0	7,3	1,9	3,0	0,0416	8	18	63,0	56,0	1460	87,5	88,0	88,1	0,68	0,80	0,86	10,5
7,5	10	132S	49,3	7,2	2,0	3,0	0,0528	8	18	72,0	56,0	1455	88,7	89,0	89,0	0,71	0,81	0,86	14,1
7,5	10	160M/L	48,9	6,5	2,3	2,8	0,0783	16	35	83,0	67,0	1465	88,0	89,0	89,6	0,68	0,79	0,84	14,4
9,2	12,5	160M/L	60,4	5,6	2,3	2,3	0,0638	12	26	68,0	67,0	1455	88,0	88,5	88,5	0,70	0,80	0,84	17,9



IE2 - High Efficiency - 50 Hz

IEC 60034-30

Output		Rated speed (rpm)	380 V						Full load current I _n (A)	Rated speed (rpm)	415 V						Full load current I _n (A)						
			% of full load			Efficiency					Power Factor			% of full load				Efficiency			Power Factor		
			50	75	100	50	75	100			50	75	100	50	75	100		50	75	100	50	75	100
kW	HP								(A)								(A)						

II Poles

0,12	0,16	2765	54,7	60,8	60,9	0,57	0,71	0,79	0,379	2805	51,4	59,0	60,6	0,50	0,63	0,72	0,383
0,18	0,25	2740	57,9	63,0	63,0	0,58	0,73	0,82	0,529	2785	54,1	60,9	62,6	0,50	0,64	0,75	0,533
0,25	0,33	2730	60,3	65,1	65,0	0,59	0,73	0,82	0,713	2775	55,9	62,7	64,5	0,49	0,63	0,74	0,729
0,37	0,5	2805	69,0	70,1	70,3	0,66	0,79	0,87	0,900	2845	66,9	69,7	71,2	0,57	0,72	0,82	0,882
0,55	0,75	2750	70,8	71,9	71,0	0,73	0,85	0,91	1,29	2795	68,9	71,7	72,5	0,63	0,79	0,86	1,23
0,75	1	2770	77,7	78,0	78,0	0,66	0,81	0,87	1,68	2810	75,0	78,5	79,5	0,64	0,77	0,84	1,56
1,1	1,5	2765	78,9	79,2	79,6	0,73	0,83	0,87	2,43	2805	77,1	80,2	80,2	0,62	0,75	0,82	2,33
1,5	2	2840	80,5	81,6	81,6	0,68	0,79	0,85	3,25	2880	79,3	81,9	82,5	0,58	0,73	0,81	3,08
2,2	3	2820	83,7	83,5	83,2	0,69	0,80	0,85	4,75	2855	82,2	83,4	83,9	0,59	0,72	0,80	4,56
3	4	2865	84,9	85,0	85,0	0,76	0,85	0,88	6,09	2890	83,1	84,6	85,0	0,66	0,78	0,84	5,85
4	5,5	2865	86,6	86,0	85,8	0,78	0,87	0,90	7,90	2890	85,3	85,9	86,3	0,69	0,80	0,86	7,50
5,5	7,5	2900	87,1	88,0	87,6	0,74	0,83	0,88	10,8	2915	85,6	87,6	88,0	0,63	0,76	0,83	10,5
7,5	10	2900	88,4	88,4	88,1	0,77	0,85	0,89	14,5	2915	87,3	88,3	88,7	0,67	0,79	0,85	13,8
9,2	12,5	2905	89,1	89,0	89,0	0,75	0,85	0,89	17,6	2920	87,6	88,6	89,0	0,65	0,77	0,84	17,1
11	15	2935	90,0	90,1	90,1	0,74	0,83	0,87	21,3	2945	89,0	90,2	90,2	0,65	0,76	0,83	20,4
15	20	2925	91,0	91,0	91,0	0,78	0,85	0,88	28,5	2940	90,0	91,1	91,1	0,70	0,80	0,85	26,9
18,5	25	2930	91,0	91,1	91,1	0,78	0,86	0,87	35,5	2945	91,2	91,4	91,4	0,69	0,80	0,83	33,9
22	30	2935	91,2	91,5	91,5	0,80	0,87	0,88	41,5	2945	91,5	91,6	91,6	0,73	0,83	0,86	38,9
30	40	2950	92,0	92,1	92,1	0,79	0,87	0,90	55,0	2960	92,0	92,3	92,3	0,69	0,81	0,86	52,6
37	50	2950	92,4	92,9	92,9	0,80	0,86	0,89	68,0	2960	91,3	93,1	93,1	0,69	0,79	0,84	65,8

Optional Frames

0,37	0,5	2695	65,9	67,6	67,4	0,63	0,77	0,84	0,993	2750	62,1	66,2	67,9	0,53	0,67	0,78	0,972
0,75	1	2750	77,0	77,4	77,4	0,73	0,84	0,90	1,64	2890	76,0	77,6	77,6	0,62	0,76	0,85	1,58
0,75	1	2830	77,8	79,1	78,3	0,66	0,77	0,83	1,75	2860	76,0	78,7	79,2	0,56	0,70	0,78	1,69
1,1	1,5	2810	80,7	80,3	79,6	0,70	0,80	0,85	2,47	2850	79,2	80,4	81,0	0,60	0,74	0,81	2,33
1,5	2	2750	81,0	81,5	81,3	0,71	0,83	0,88	3,19	2790	80,0	81,0	81,7	0,59	0,74	0,82	3,11
2,2	3	2870	83,3	83,8	83,2	0,71	0,82	0,87	4,62	2895	81,5	83,2	83,6	0,62	0,75	0,82	4,46
3	4	2830	84,5	84,5	84,6	0,67	0,79	0,85	6,34	2860	84,0	84,7	84,7	0,57	0,71	0,79	6,24
4	5,5	2860	85,5	85,8	85,8	0,73	0,83	0,88	8,05	2880	85,0	86,0	86,0	0,63	0,76	0,83	7,80
5,5	7,5	2865	87,0	86,9	87,0	0,76	0,86	0,89	10,8	2885	85,9	86,8	87,2	0,67	0,79	0,85	10,3
5,5	7,5	2900	87,1	88,0	87,6	0,74	0,83	0,88	10,8	2915	85,6	87,6	88,0	0,63	0,76	0,83	10,5
7,5	10	2860	87,5	88,1	88,1	0,72	0,83	0,88	14,7	2885	87,0	88,1	88,1	0,62	0,75	0,83	14,3
7,5	10	2900	88,4	88,4	88,1	0,77	0,85	0,89	14,5	2915	87,3	88,3	88,7	0,67	0,79	0,85	13,8

IV Poles

0,12	0,16	1360	56,8	58,7	58,4	0,58	0,71	0,80	0,390	1390	53,2	57,1	59,0	0,51	0,64	0,74	0,382
0,18	0,25	1360	60,4	61,3	60,1	0,59	0,72	0,81	0,562	1390	57,7	60,6	61,2	0,52	0,65	0,75	0,546
0,25	0,33	1380	60,0	65,0	65,0	0,53	0,66	0,74	0,800	1410	57,8	64,5	66,5	0,46	0,59	0,69	0,760
0,37	0,5	1360	64,8	66,5	67,4	0,55	0,68	0,78	1,06	1390	61,2	64,9	67,9	0,46	0,60	0,71	1,06
0,55	0,75	1410	73,4	75,1	75,2	0,65	0,77	0,85	1,30	1425	70,7	74,9	76,1	0,56	0,70	0,80	1,26
0,75	1	1400	80,1	79,6	79,8	0,68	0,80	0,86	1,66	1415	77,9	79,2	80,1	0,60	0,73	0,81	1,61
1,1	1,5	1440	80,9	81,5	81,5	0,65	0,76	0,83	2,47	1455	79,2	81,5	82,1	0,56	0,70	0,79	2,36
1,5	2	1430	82,8	83,2	82,8	0,63	0,77	0,83	3,32	1445	80,1	82,3	83,1	0,53	0,68	0,78	3,22
2,2	3	1425	83,5	84,3	84,3	0,65	0,77	0,83	4,80	1440	82,3	84,5	84,9	0,56	0,71	0,79	4,56
3	4	1410	85,6	85,4	85,5	0,68	0,79	0,84	6,35	1425	84,3	85,5	86,0	0,59	0,73	0,80	6,07
4	5,5	1435	86,5	86,6	86,6	0,69	0,80	0,84	8,35	1445	85,3	86,6	87,0	0,60	0,73	0,80	8,00
5,5	7,5	1455	88,1	87,7	87,7	0,73	0,83	0,88	10,8	1460	87,0	87,9	88,3	0,65	0,77	0,84	10,3
7,5	10	1450	89,0	88,7	88,7	0,75	0,83	0,87	14,9	1460	88,3	89,0	89,4	0,67	0,78	0,84	13,9
9,2	12,5	1450	89,6	89,4	89,3	0,75	0,83	0,88	17,8	1455	88,7	89,5	89,8	0,66	0,78	0,85	16,8
11	15	1450	90,3	90,1	88,7	0,73	0,82	0,85	22,2	1460	89,6	90,2	89,6	0,66	0,77	0,82	20,8
15	20	1460	90,6	91,0	90,2	0,68	0,78	0,83	30,4	1465	88,8	90,2	90,2	0,58	0,71	0,78	29,7
18,5	25	1465	92,0	92,3	91,6	0,71	0,81	0,85	36,1	1470	90,7	91,8	91,8	0,62	0,74	0,81	34,6
22	30	1460	92,9	92,7	91,6	0,77	0,84	0,87	41,9	1470	92,5	92,9	92,3	0,70	0,80	0,85	39,0
30	40	1470	93,0	93,1	92,4	0,72	0,81	0,85	58,0	1475	92,0	92,9	92,7	0,63	0,75	0,81	55,6
37	50	1465	93,1	92,9	92,7	0,74	0,83	0,85	71,3	1472	92,5	93,0	93,2	0,67	0,78	0,81	68,2

Optional Frames

0,55	0,75	1320	70,0	71,0	70,5	0,56	0,69	0,78	1,52	1355	67,0	70,5	70,5	0,46	0,60	0,70	1,55
1,1	1,5	1395	81,0	81,0	81,4	0,71	0,82	0,86	2,39	1410	80,0	81,0	81,4	0,62	0,75	0,83	2,27
2,2	3	1420	84,0	84,3	84,3	0,66	0,79	0,84	4,72	1440	83,4	84,4	84,4	0,56	0,70	0,78	4,65
5,5	7,5	1440	87,0	87,7	87,7	0,62	0,75	0,81	11,8	1445	86,0	87,8	87,8	0,52	0,65	0,74	11,8
5,5	7,5	1455	88,1	87,7	87,7	0,73	0,83	0,88	10,8	1460	87,0	87,9	88,3	0,65	0,77	0,84	10,3
7,5	10	1450	89,0	88,7	88,7	0,75	0,83	0,87	14,9	1460	88,3	89,0	89,4	0,67	0,78	0,84	13,9
7,5	10	1465	88,0	89,0	89,0	0,72	0,81	0,85	15,1	1465	88,0	89,0	89,3	0,66	0,74	0,80	14,6
9,2	12,5	1450	89,2	89,1	87,6	0,75	0,83	0,86	18,6	1455	88,0	89,0	88,4	0,66	0,77	0,83	17,4



IE2 - High Efficiency - 50 Hz

IEC 60034-30

Output kW HP		Frame	Full Load Torque (Nm)	Locked Rotor Current I _L / I _n	Locked Rotor Torque T _L / T _n	Break- down Torque T _b /T _n	Inertia J (kgm ²)	Allowable locked rotor time (s)		Weight (kg)	Sound dB(A)	Rated speed (rpm)	400 V						Full load current I _n (A)
								Hot	Cold				% of full load			Power Factor			
													Efficiency			Power Factor			
			50	75	100	50	75	100											
0,12	0,16	63	1,27	3,0	1,9	2,0	0,0006	52	114	7,2	43,0	905	42,0	50,0	52,0	0,43	0,53	0,63	0,529
0,18	0,25	71	1,93	3,2	2,0	2,0	0,0008	96	211	9,5	43,0	890	52,0	58,0	59,0	0,40	0,51	0,61	0,722
0,25	0,33	71	2,65	3,2	2,2	2,1	0,0009	70	154	11,5	43,0	900	53,0	60,0	61,0	0,37	0,48	0,58	1,02
0,37	0,5	80	3,88	3,9	1,8	2,0	0,0022	27	59	10,5	43,0	910	63,0	67,0	67,0	0,51	0,66	0,76	1,05
0,55	0,75	80	5,77	4,1	2,0	2,2	0,0030	21	46	14,0	43,0	910	65,0	71,0	71,0	0,50	0,65	0,75	1,49
0,75	1	90S/L	7,75	4,5	2,0	2,1	0,0055	23	51	19,0	45,0	925	74,5	76,0	76,0	0,51	0,64	0,73	1,95
1,1	1,5	90S/L	11,4	4,7	2,3	2,2	0,0066	17	37	23,0	45,0	925	76,0	78,1	78,1	0,50	0,63	0,73	2,78
1,5	2	100L	15,3	5,0	2,0	2,4	0,0110	23	51	28,5	44,0	940	79,5	80,0	80,0	0,51	0,64	0,73	3,71
2,2	3	112M	22,4	5,0	2,1	2,3	0,0183	19	42	38,0	48,0	940	81,0	82,5	82,0	0,53	0,66	0,73	5,30
3	4	132S	29,9	5,7	2,0	2,4	0,0359	31	68	61,0	52,0	960	82,5	83,6	83,6	0,50	0,63	0,71	7,30
4	5,5	132M	39,8	6,0	2,1	2,5	0,0453	21	46	68,0	52,0	960	84,0	84,8	84,8	0,51	0,64	0,72	9,46
5,5	7,5	132M	54,7	6,4	2,2	2,7	0,0604	19	42	72,0	52,0	960	85,5	86,1	86,1	0,51	0,64	0,72	12,8
7,5	10	160M/L	74,3	6,6	2,5	2,9	0,1055	10	22	83,0	56,0	965	86,5	88,0	88,0	0,61	0,74	0,81	15,2
9,2	12,5	160M/L	90,6	6,2	2,5	2,7	0,1266	10	22	103	56,0	970	88,0	88,3	88,3	0,60	0,73	0,80	18,8
11	15	160M/L	109	6,0	2,4	2,7	0,1407	10	22	118	56,0	965	88,5	89,0	89,0	0,58	0,72	0,79	22,6
15	20	180M/L	148	8,0	2,7	3,0	0,3381	5	11	154	56,0	970	89,5	90,0	90,0	0,72	0,81	0,87	27,7
18,5	25	200M/L	181	6,3	2,3	2,5	0,3335	10	22	150	58,0	975	90,8	91,0	91,0	0,67	0,72	0,78	37,6
22	30	200M/L	216	6,2	2,3	2,6	0,3868	10	22	180	58,0	975	91,0	91,2	91,2	0,65	0,75	0,82	42,5

Optional Frames

3	4	132M	29,9	5,7	2,0	2,4	0,0359	31	68	61,0	52,0	960	82,5	83,6	83,6	0,50	0,63	0,71	7,30
5,5	7,5	160M/L	53,9	6,3	2,5	2,8	0,1191	18	40	94,0	56,0	975	87,0	87,0	87,5	0,59	0,72	0,79	11,5

VIII Poles

0,12	0,16	71	1,76	2,3	1,9	2,0	0,0008	172	378	9,5	41,0	650	40,0	48,0	50,0	0,35	0,43	0,52	0,666
0,18	0,25	80	2,57	3,1	1,9	2,1	0,0024	48	106	11,5	42,0	670	47,0	53,0	55,0	0,44	0,55	0,65	0,727
0,25	0,33	80	3,57	3,2	1,9	2,1	0,0029	42	92	13,5	42,0	670	49,0	55,0	57,0	0,43	0,55	0,66	0,959
0,37	0,5	90S/L	5,12	3,5	2,1	2,1	0,0044	37	81	18,0	43,0	690	56,0	62,0	62,0	0,41	0,52	0,62	1,39
0,55	0,75	90S/L	7,67	3,5	1,9	2,0	0,0060	31	68	22,0	43,0	685	61,0	64,0	64,0	0,44	0,56	0,66	1,88
0,75	1	100L	10,1	4,6	2,0	2,4	0,0110	42	92	28,5	50,0	710	71,0	74,0	74,0	0,40	0,52	0,62	2,36
1,1	1,5	100L	14,9	4,6	2,1	2,3	0,0127	29	64	30,5	50,0	705	71,0	75,0	75,0	0,40	0,53	0,62	3,41
1,5	2	112M	20,5	4,7	2,4	2,3	0,0202	29	64	39,0	46,0	700	77,0	79,0	79,0	0,44	0,57	0,67	4,09
2,2	3	132S	30,0	5,5	2,2	2,4	0,0592	25	55	62,0	48,0	700	81,0	81,5	81,0	0,52	0,65	0,72	5,44
3	4	132M	41,0	5,5	2,3	2,4	0,0740	19	42	66,0	48,0	700	82,0	82,5	82,0	0,54	0,66	0,73	7,23
4	5,5	160M/L	52,7	5,2	2,2	2,8	0,0985	12	26	78,0	51,0	725	82,0	84,5	84,5	0,44	0,57	0,66	10,4
5,5	7,5	160M/L	72,0	5,6	2,5	2,8	0,1266	12	26	103	51,0	730	82,0	85,0	85,0	0,42	0,55	0,65	14,4
7,5	10	160M/L	98,8	5,2	2,0	2,4	0,1555	15	33	128	51,0	725	84,0	86,5	86,5	0,52	0,64	0,71	17,6
9,2	12,5	180M/L	121	7,0	2,2	2,5	0,2308	10	22	139	51,0	725	87,0	87,2	87,2	0,67	0,77	0,83	18,3
11	15	180M/L	145	7,0	2,2	2,4	0,2620	9	20	160	51,0	725	88,0	89,0	89,0	0,68	0,78	0,83	21,5
15	20	200M/L	196	5,0	2,0	2,2	0,4228	18	40	220	53,0	730	89,0	89,5	89,5	0,53	0,65	0,71	34,1



IE2 - High Efficiency - 50 Hz IEC 60034-30

Output		380 V								415 V							
		Rated speed (rpm)	% of full load						Full load current In (A)	Rated speed (rpm)	% of full load						Full load current In (A)
			Efficiency			Power Factor					Efficiency			Power Factor			
kW	HP	50	75	100	50	75	100	50	75	100	50	75	100	50	75	100	

VI Poles

0,12	0,16	895	45,4	52,1	52,9	0,46	0,57	0,67	0,514	910	39,1	47,5	50,7	0,41	0,50	0,59	0,558
0,18	0,25	875	54,2	59,0	58,7	0,43	0,55	0,65	0,717	900	50,1	56,8	58,6	0,38	0,48	0,58	0,737
0,25	0,33	885	56,3	61,9	61,5	0,41	0,52	0,62	0,996	905	50,1	57,8	59,7	0,35	0,45	0,54	1,08
0,37	0,5	895	65,2	67,7	66,0	0,56	0,70	0,80	1,06	915	60,5	65,9	67,1	0,48	0,62	0,73	1,05
0,55	0,75	900	67,5	71,8	70,2	0,55	0,69	0,79	1,51	915	62,5	69,6	70,9	0,47	0,61	0,72	1,50
0,75	1	915	75,8	75,9	75,9	0,55	0,68	0,76	1,98	930	73,2	75,6	76,4	0,48	0,61	0,71	1,92
1,1	1,5	915	77,9	78,5	78,5	0,55	0,67	0,77	2,76	930	74,3	77,3	78,1	0,46	0,59	0,70	2,80
1,5	2	930	80,7	80,1	79,8	0,55	0,69	0,76	3,76	945	78,3	79,7	80,3	0,48	0,61	0,70	3,71
2,2	3	930	82,0	82,4	81,8	0,57	0,70	0,76	5,44	945	80,0	82,1	82,4	0,49	0,63	0,71	5,23
3	4	955	83,4	83,8	83,3	0,54	0,67	0,74	7,39	960	81,4	83,1	83,6	0,46	0,59	0,68	7,34
4	5,5	955	84,9	85,0	84,6	0,55	0,68	0,74	9,74	960	83,0	84,4	84,9	0,47	0,61	0,69	9,50
5,5	7,5	955	86,4	86,3	86,0	0,56	0,68	0,75	13,0	965	84,6	85,7	86,2	0,47	0,61	0,69	12,9
7,5	10	960	88,1	88,2	86,9	0,68	0,79	0,84	15,6	970	86,0	87,6	87,3	0,58	0,71	0,79	15,1
9,2	12,5	965	88,6	88,9	87,7	0,67	0,78	0,84	19,0	970	86,4	88,0	87,9	0,57	0,70	0,78	18,7
11	15	960	88,9	88,8	87,4	0,68	0,80	0,85	22,5	970	86,8	88,1	87,8	0,59	0,72	0,79	22,1
15	20	970	91,3	90,9	89,6	0,78	0,86	0,90	28,3	975	90,6	91,1	90,4	0,71	0,82	0,87	26,5
18,5	25	975	91,2	91,4	90,5	0,68	0,79	0,83	37,4	980	89,8	90,9	90,7	0,59	0,72	0,79	35,9
22	30	975	91,9	91,6	90,4	0,73	0,82	0,85	43,5	980	90,9	91,5	90,9	0,65	0,76	0,82	41,1

Optional Frames

3	4	955	83,4	83,8	83,3	0,54	0,67	0,74	7,39	960	81,4	83,1	83,6	0,46	0,59	0,68	7,34
5,5	7,5	970	87,0	87,0	87,5	0,63	0,76	0,81	11,8	980	86,0	87,0	87,5	0,57	0,70	0,77	11,4

VIII Poles

0,12	0,16	635	42,9	50,1	50,8	0,37	0,47	0,56	0,641	655	37,1	45,7	48,8	0,34	0,41	0,49	0,698
0,18	0,25	660	49,3	54,4	54,9	0,47	0,59	0,69	0,722	675	45,0	51,8	54,5	0,42	0,53	0,62	0,741
0,25	0,33	660	51,1	56,2	56,8	0,47	0,59	0,70	0,955	675	47,0	53,8	56,8	0,42	0,53	0,63	0,972
0,37	0,5	680	59,5	63,8	62,4	0,44	0,56	0,67	1,34	695	53,1	59,9	60,9	0,39	0,49	0,59	1,43
0,55	0,75	675	63,3	65,1	63,5	0,47	0,61	0,70	1,88	690	58,5	62,8	63,9	0,41	0,53	0,63	1,90
0,75	1	705	73,0	75,0	73,9	0,44	0,57	0,65	2,37	715	69,2	73,0	73,7	0,38	0,49	0,59	2,40
1,1	1,5	700	73,6	76,2	74,9	0,45	0,57	0,66	3,38	705	68,8	73,6	74,5	0,37	0,49	0,59	3,48
1,5	2	695	78,8	79,6	78,5	0,49	0,61	0,70	4,15	705	75,3	78,2	78,9	0,41	0,53	0,63	4,20
2,2	3	695	81,8	81,5	79,9	0,57	0,69	0,75	5,58	705	80,1	81,4	81,4	0,49	0,62	0,70	5,37
3	4	690	82,7	82,4	80,8	0,58	0,70	0,75	7,52	705	81,1	82,4	82,5	0,50	0,63	0,71	7,13
4	5,5	725	82,6	84,8	84,7	0,50	0,63	0,72	9,97	730	78,4	82,4	83,7	0,41	0,54	0,64	10,4
5,5	7,5	725	83,7	85,6	85,5	0,50	0,63	0,72	13,6	730	79,2	83,1	84,3	0,41	0,54	0,63	14,4
7,5	10	720	86,7	87,3	86,1	0,59	0,71	0,78	17,0	725	83,5	85,8	86,0	0,49	0,62	0,71	17,1
9,2	12,5	725	88,7	88,3	86,6	0,69	0,79	0,84	19,2	730	87,5	88,3	87,5	0,61	0,73	0,80	18,3
11	15	725	88,2	89,0	88,8	0,73	0,81	0,85	22,1	730	87,8	89,0	89,0	0,65	0,75	0,81	21,2
15	20	730	89,9	90,4	89,6	0,59	0,71	0,77	33,0	735	88,0	89,6	89,6	0,50	0,63	0,71	32,8



IE3 - Premium Efficiency - 50 Hz

IEC 60034-30

Output		Frame	Full Load Torque (Nm)	Locked Rotor Current I _L /I _n	Locked Rotor Torque T _L /T _n	Break-down Torque T _b /T _n	Inertia J (kgm ²)	Allowable locked rotor time (s)		Weight (kg)	Sound dB(A)	Rated speed (rpm)	400 V						Full load current I _n (A)
								Hot	Cold				% of full load			Power Factor			
kW	HP												50	75	100	50	75	100	
II Poles																			
0,18	0,25	63	0,610	5,2	3,2	3,2	0,0002	22	48	6,7	52,0	2800	61,0	66,0	67,0	0,55	0,68	0,77	0,504
0,25	0,33	63	0,850	5,5	3,2	3,2	0,0002	17	37	7,2	52,0	2805	63,0	68,0	69,0	0,54	0,68	0,77	0,679
0,37	0,5	71	1,27	6,2	3,0	3,0	0,0004	15	33	7,5	56,0	2790	73,0	74,5	74,5	0,66	0,79	0,85	0,843
0,55	0,75	71	1,90	5,9	3,0	3,0	0,0005	18	40	8,5	56,0	2770	75,0	76,0	76,0	0,68	0,81	0,86	1,21
0,75	1	80	2,54	7,5	3,5	3,5	0,0008	25	55	13,5	59,0	2825	80,0	82,0	82,0	0,63	0,76	0,82	1,61
1,1	1,5	80	3,71	7,4	3,6	3,6	0,0015	23	51	15,0	59,0	2830	81,0	83,5	83,5	0,63	0,76	0,82	2,32
1,5	2	90S/L	4,99	7,6	3,3	3,3	0,0020	15	33	18,5	62,0	2875	83,0	85,0	85,0	0,64	0,76	0,83	3,07
2,2	3	90S/L	7,32	7,5	3,4	3,5	0,0026	12	26	23,5	62,0	2870	86,0	86,5	86,3	0,65	0,77	0,83	4,43
3	4	100L	9,85	8,5	3,4	3,4	0,0064	15	33	32,0	67,0	2910	85,5	87,3	87,3	0,69	0,81	0,86	5,77
4	5,5	112M	13,2	7,7	2,9	3,5	0,0080	22	48	41,0	64,0	2900	88,1	89,1	89,5	0,69	0,80	0,86	7,50
5,5	7,5	132S	17,9	8,3	2,6	3,2	0,0216	23	51	65,0	67,0	2930	88,3	89,7	90,0	0,72	0,82	0,87	10,1
7,5	10	132S	24,4	8,5	3,0	3,4	0,0252	17	37	69,0	67,0	2935	89,1	90,5	90,8	0,69	0,80	0,86	13,9
9,2	12,5	132M	30,0	8,5	2,9	3,3	0,0306	16	35	78,0	67,0	2930	90,4	91,1	91,1	0,75	0,84	0,88	16,6
11	15	132M	35,9	8,2	2,7	3,0	0,0306	11	24	78,0	67,0	2925	90,6	91,1	91,2	0,75	0,85	0,89	19,6
15	20	160M/L	48,7	8,3	2,4	2,9	0,0565	11	24	103	70,0	2945	92,2	93,3	93,3	0,71	0,81	0,84	27,6
18,5	25	160M/L	60,0	9,0	2,3	2,7	0,0650	11	24	124	70,0	2945	92,9	93,8	93,8	0,67	0,79	0,85	33,5
22	30	180M/L	71,1	8,6	2,8	2,7	0,1192	9	20	164	70,0	2955	93,2	94,3	94,1	0,75	0,83	0,87	38,8
30	40	200M/L	97,0	7,6	2,7	2,4	0,2063	35	77	215	74,0	2955	92,6	93,9	94,2	0,75	0,83	0,86	53,5
37	50	200M/L	119	8,4	2,6	2,6	0,2114	16	35	230	74,0	2960	93,3	94,2	94,7	0,76	0,84	0,87	64,8

Optional Frames

0,75	1	90S/L	2,47	8,2	3,3	3,4	0,0009	24	53	17,0	62,0	2900	79,0	82,5	83,0	0,63	0,75	0,82	1,59
1,1	1,5	90S/L	3,65	7,8	3,3	3,3	0,0018	19	42	17,5	62,0	2880	82,0	84,2	84,5	0,63	0,75	0,82	2,29
2,2	3	100L	7,22	8,5	3,2	3,3	0,0059	22	48	31,0	67,0	2910	85,0	86,6	86,6	0,71	0,82	0,87	4,21
4	5,5	132S	13,0	7,5	2,3	3,1	0,0180	24	53	61,0	67,0	2930	86,9	88,7	89,0	0,73	0,82	0,87	7,46
5,5	7,5	132M	17,9	8,3	2,6	3,2	0,0216	23	51	65,0	67,0	2930	88,3	89,7	90,0	0,72	0,82	0,87	10,1
7,5	10	132M	24,4	8,5	3,0	3,4	0,0252	17	37	69,0	67,0	2935	89,1	90,5	90,8	0,69	0,80	0,86	13,9
11	15	160M/L	35,6	8,6	2,3	3,0	0,0506	12	26	98,0	70,0	2950	91,7	93,0	93,0	0,65	0,78	0,83	20,6

IV Poles

0,12	0,16	63	0,840	4,4	2,1	2,3	0,0004	30	66	5,2	44,0	1370	57,0	62,0	63,0	0,52	0,65	0,75	0,367
0,18	0,25	63	1,26	4,7	2,3	2,4	0,0006	30	66	7,2	44,0	1370	62,0	64,0	64,5	0,53	0,66	0,75	0,537
0,25	0,33	71	1,74	4,8	2,5	2,6	0,0007	30	66	8,0	43,0	1370	66,0	69,0	69,5	0,52	0,65	0,74	0,702
0,37	0,5	71	2,58	4,8	2,6	2,6	0,0008	30	66	9,5	43,0	1370	69,0	72,0	72,0	0,51	0,64	0,73	1,02
0,55	0,75	80	3,70	6,6	2,9	3,2	0,0026	20	44	12,5	44,0	1420	77,0	79,0	79,5	0,61	0,74	0,80	1,25
0,75	1	80	5,05	6,7	3,0	3,3	0,0035	18	40	14,5	44,0	1420	80,0	82,0	82,5	0,63	0,76	0,82	1,60
1,5	2	90S/L	9,88	7,4	2,6	3,4	0,0066	13	29	23,0	49,0	1450	84,0	86,0	86,0	0,58	0,72	0,80	3,15
2,2	3	100L	14,7	7,4	3,2	3,5	0,0090	18	40	31,5	53,0	1435	86,5	87,0	87,0	0,60	0,73	0,80	4,56
3	4	100L	19,9	7,8	3,5	3,7	0,0120	15	33	37,5	53,0	1440	87,0	88,0	88,0	0,60	0,73	0,80	6,15
4	5,5	112M	26,4	7,0	2,3	3,1	0,0182	15	33	44,0	56,0	1450	88,7	89,1	89,1	0,62	0,74	0,81	8,00
5,5	7,5	132S	35,9	8,5	2,4	3,4	0,0528	15	33	69,0	56,0	1465	90,0	90,7	90,7	0,67	0,79	0,85	10,3
7,5	10	132M	48,9	8,5	2,5	3,4	0,0642	13	29	78,0	56,0	1465	91,0	91,5	91,5	0,69	0,80	0,85	13,9
11	15	160M/L	71,5	7,5	2,8	3,0	0,1071	12	26	123	62,0	1470	91,1	92,3	92,6	0,62	0,73	0,80	21,4
15	20	160M/L	97,8	6,3	2,0	2,4	0,1263	11	24	118	62,0	1465	89,7	91,2	92,1	0,65	0,76	0,82	28,7
18,5	25	180M/L	120	8,3	2,7	2,8	0,2088	12	26	159	64,0	1470	92,1	93,3	93,6	0,70	0,81	0,85	33,6
22	30	180M/L	143	8,6	2,8	2,9	0,2393	11	24	209	64,0	1475	92,9	94,0	94,3	0,68	0,78	0,84	40,1
30	40	200M/L	194	7,3	2,7	2,9	0,3743	19	42	250	67,0	1480	94,0	94,7	94,5	0,65	0,76	0,82	55,9

Optional Frames

0,75	1	90S/L	4,93	7,8	2,4	3,3	0,0049	21	46	18,5	49,0	1455	82,5	84,0	84,5	0,60	0,73	0,80	1,60
1,1	1,5	90S/L	7,22	7,6	2,5	3,3	0,0055	15	33	19,5	49,0	1455	83,0	84,5	84,8	0,59	0,72	0,80	2,34
1,5	2	100L	9,95	7,7	3,1	3,4	0,0082	25	55	30,0	53,0	1440	86,0	87,0	87,0	0,61	0,73	0,80	3,11
2,2	3	112M	14,5	6,8	2,0	3,0	0,0143	31	68	41,0	56,0	1450	87,5	88,2	88,2	0,62	0,74	0,81	4,44
3	4	112M	19,7	7,1	2,3	3,1	0,0169	25	55	43,0	56,0	1455	88,5	89,1	89,1	0,62	0,74	0,81	6,00
5,5	7,5	132M	35,9	8,5	2,4	3,4	0,0528	15	33	69,0	56,0	1465	90,0	90,7	90,7	0,67	0,79	0,85	10,3



IE3 - Premium Efficiency - 50 Hz IEC 60034-30

Output		380 V								415 V							
		Rated speed (rpm)	% of full load						Full load current In (A)	Rated speed (rpm)	% of full load						Full load current In (A)
			Efficiency			Power Factor					Efficiency			Power Factor			
kW	HP	50	75	100	50	75	100	50	75	100	50	75	100	50	75	100	

II Poles

0,18	0,25	2775	62,6	66,6	66,7	0,59	0,73	0,82	0,500	2815	59,6	65,2	66,7	0,51	0,64	0,74	0,507
0,25	0,33	2780	64,6	68,7	68,8	0,59	0,73	0,81	0,682	2820	61,5	67,2	68,7	0,51	0,64	0,74	0,684
0,37	0,5	2765	73,6	74,3	73,6	0,71	0,82	0,87	0,878	2805	72,4	74,5	75,0	0,63	0,76	0,83	0,827
0,55	0,75	2740	75,6	75,7	75,0	0,73	0,84	0,88	1,27	2790	74,4	76,0	76,5	0,65	0,78	0,84	1,19
0,75	1	2805	80,9	82,2	81,6	0,68	0,80	0,85	1,64	2835	79,1	81,7	82,1	0,59	0,72	0,79	1,61
1,1	1,5	2810	82,0	83,7	83,1	0,69	0,80	0,85	2,37	2840	80,0	83,0	83,4	0,58	0,72	0,79	2,32
1,5	2	2860	83,7	85,0	84,4	0,69	0,80	0,85	3,18	2885	82,2	84,8	85,2	0,59	0,72	0,80	3,06
2,2	3	2855	86,5	86,4	85,9	0,70	0,81	0,86	4,52	2880	85,3	86,4	86,5	0,61	0,74	0,81	4,37
3	4	2900	86,0	87,4	87,1	0,75	0,84	0,88	5,95	2915	85,0	87,2	87,4	0,66	0,78	0,84	5,68
4	5,5	2890	88,6	89,2	89,1	0,73	0,83	0,88	7,75	2905	87,5	89,0	89,6	0,65	0,77	0,84	7,39
5,5	7,5	2920	88,7	89,7	89,7	0,76	0,85	0,89	10,5	2935	87,8	89,6	90,1	0,68	0,79	0,85	10,0
7,5	10	2925	89,6	90,6	90,6	0,74	0,84	0,88	14,3	2940	88,6	90,3	90,8	0,65	0,77	0,83	13,8
9,2	12,5	2920	90,7	91,0	90,8	0,79	0,87	0,90	17,1	2935	90,1	91,0	91,3	0,71	0,82	0,87	16,1
11	15	2915	90,9	91,0	91,2	0,80	0,87	0,90	20,4	2930	90,2	91,1	91,4	0,72	0,82	0,87	19,2
15	20	2940	92,2	93,1	93,1	0,74	0,82	0,85	28,8	2950	92,1	93,2	93,3	0,68	0,80	0,83	26,9
18,5	25	2940	92,9	93,7	93,7	0,70	0,81	0,86	34,9	2950	92,8	93,8	93,8	0,63	0,77	0,84	32,7
22	30	2950	93,3	94,3	94,1	0,78	0,85	0,88	40,4	2955	93,0	94,2	94,0	0,72	0,81	0,86	37,9
30	40	2950	92,5	93,9	94,2	0,76	0,84	0,87	55,6	2960	92,6	93,9	94,2	0,74	0,82	0,85	52,1
37	50	2955	93,5	94,3	94,3	0,81	0,86	0,88	67,7	2960	93,0	94,0	94,4	0,73	0,82	0,86	63,4

Optional Frames

0,75	1	2885	79,5	82,5	82,5	0,68	0,78	0,84	1,64	2910	78,4	82,3	83,1	0,60	0,72	0,79	1,59
1,1	1,5	2865	82,6	84,2	84,0	0,68	0,79	0,84	2,37	2890	81,4	84,0	84,7	0,59	0,72	0,80	2,26
2,2	3	2900	85,4	86,5	86,5	0,75	0,84	0,89	4,36	2915	84,7	86,5	86,8	0,68	0,80	0,86	4,10
4	5,5	2920	87,1	88,6	88,7	0,76	0,85	0,89	7,70	2935	86,6	88,6	89,2	0,69	0,80	0,86	7,25
5,5	7,5	2920	88,7	89,7	89,7	0,76	0,85	0,89	10,5	2935	87,8	89,6	90,1	0,68	0,79	0,85	10,0
7,5	10	2925	89,6	90,6	90,6	0,74	0,84	0,88	14,3	2940	88,6	90,3	90,8	0,65	0,77	0,83	13,8
11	15	2945	91,6	92,8	92,8	0,72	0,82	0,85	21,2	2955	91,6	93,0	93,1	0,61	0,74	0,81	20,3

IV Poles

0,12	0,16	1355	58,6	62,6	62,5	0,56	0,69	0,78	0,374	1380	55,6	61,3	62,9	0,50	0,62	0,72	0,369
0,18	0,25	1355	63,5	64,4	63,9	0,57	0,70	0,78	0,549	1380	60,8	63,5	64,5	0,50	0,63	0,72	0,539
0,25	0,33	1355	67,0	69,1	68,7	0,56	0,69	0,77	0,718	1380	65,1	68,6	69,7	0,50	0,62	0,71	0,703
0,37	0,5	1355	70,0	72,2	71,3	0,55	0,68	0,76	1,04	1380	67,8	71,5	72,3	0,48	0,61	0,71	1,00
0,55	0,75	1410	78,0	79,1	78,9	0,65	0,77	0,83	1,28	1430	76,0	78,9	80,1	0,57	0,71	0,77	1,24
0,75	1	1410	80,8	82,0	82,5	0,68	0,79	0,84	1,64	1425	79,1	81,8	82,8	0,60	0,73	0,80	1,58
1,5	2	1445	85,0	86,2	85,6	0,63	0,76	0,83	3,21	1455	83,1	85,7	86,1	0,54	0,68	0,77	3,15
2,2	3	1430	87,2	87,1	86,7	0,65	0,77	0,83	4,66	1440	85,7	86,8	87,2	0,57	0,70	0,78	4,50
3	4	1430	87,7	88,0	87,7	0,65	0,77	0,83	6,26	1445	86,3	87,7	88,1	0,56	0,70	0,78	6,07
4	5,5	1445	89,3	89,0	88,6	0,67	0,78	0,83	8,00	1455	88,2	88,9	89,3	0,59	0,72	0,79	8,00
5,5	7,5	1460	90,4	90,7	90,3	0,71	0,82	0,87	10,6	1470	89,6	90,7	90,8	0,64	0,76	0,83	10,2
7,5	10	1460	91,4	91,5	91,2	0,73	0,83	0,87	14,4	1470	90,5	91,4	91,7	0,65	0,77	0,84	13,5
11	15	1465	91,0	92,2	92,5	0,64	0,75	0,82	22,0	1475	91,0	92,2	92,6	0,60	0,70	0,78	21,2
15	20	1460	89,7	91,2	92,1	0,70	0,79	0,84	29,5	1470	89,7	91,2	92,1	0,60	0,73	0,80	28,3
18,5	25	1465	92,0	93,2	93,5	0,73	0,84	0,87	34,6	1475	92,0	93,3	93,6	0,65	0,78	0,84	32,7
22	30	1470	93,0	94,0	94,3	0,70	0,80	0,85	41,7	1475	92,5	93,9	94,3	0,66	0,76	0,83	39,1
30	40	1475	94,1	94,6	94,4	0,69	0,79	0,84	57,5	1480	93,8	94,5	94,5	0,60	0,73	0,80	55,2

Optional Frames

0,75	1	1450	83,2	84,1	84,0	0,64	0,76	0,83	1,63	1460	81,8	83,8	84,6	0,56	0,70	0,78	1,58
1,1	1,5	1450	84,0	84,7	84,3	0,64	0,76	0,83	2,39	1460	82,0	84,1	84,8	0,55	0,69	0,77	2,34
1,5	2	1430	86,5	86,9	86,4	0,65	0,77	0,83	3,18	1445	85,6	87,0	87,3	0,58	0,71	0,78	3,06
2,2	3	1445	87,9	88,1	87,6	0,66	0,77	0,83	4,60	1455	87,2	88,2	88,5	0,59	0,72	0,79	4,38
3	4	1450	88,6	89,0	89,0	0,66	0,77	0,83	6,17	1460	88,1	89,1	89,1	0,59	0,71	0,79	5,93
5,5	7,5	1460	90,4	90,7	90,3	0,71	0,82	0,87	10,6	1470	89,6	90,7	90,8	0,64	0,76	0,83	10,2

IE3 - Premium Efficiency - 50 Hz

IEC 60034-30

Output kW HP		Frame	Full Load Torque (Nm)	Locked Rotor Current I _L /I _n	Locked Rotor Torque T _L /T _n	Break-down Torque T _b /T _n	Inertia J (kgm ²)	Allowable locked rotor time (s)		Weight (kg)	Sound dB(A)	Rated speed (rpm)	400 V						Full load current I _n (A)
								Hot	Cold				% of full load			Power Factor			
													50	75	100	50	75	100	
VI Poles																			
0,12	0,16	63	1,27	3,1	1,8	2,1	0,0007	30	66	7,7	43,0	905	46,0	53,0	55,0	0,44	0,55	0,64	0,492
0,18	0,25	71	1,91	3,2	2,0	2,1	0,0009	30	66	11,5	43,0	900	56,0	62,0	62,0	0,40	0,51	0,60	0,698
0,25	0,33	71	2,71	3,2	2,0	2,0	0,0009	30	66	11,5	43,0	880	60,0	64,0	64,0	0,39	0,51	0,60	0,940
0,37	0,5	80	3,82	4,5	1,9	2,1	0,0025	25	55	12,5	43,0	925	66,0	69,5	69,5	0,51	0,65	0,75	1,02
0,55	0,75	80	5,68	4,8	2,2	2,2	0,0034	19	42	14,5	43,0	925	68,0	72,5	73,0	0,50	0,64	0,75	1,45
0,75	1	90S/L	7,62	5,2	2,5	2,8	0,0066	31	68	22,0	45,0	940	76,5	79,0	79,0	0,49	0,62	0,71	1,93
1,1	1,5	100L	11,1	4,9	2,0	2,4	0,0110	32	70	28,5	44,0	945	80,5	81,0	81,0	0,51	0,65	0,73	2,69
1,5	2	100L	15,1	5,5	2,3	2,8	0,0143	31	68	32,0	44,0	950	81,5	82,5	82,5	0,49	0,62	0,71	3,70
2,2	3	112M	22,1	6,0	2,5	2,6	0,0257	26	57	42,0	48,0	950	83,0	84,5	84,5	0,53	0,64	0,72	5,22
3	4	132S	29,6	6,0	1,9	2,5	0,0453	28	62	61,0	53,0	970	86,5	88,0	88,0	0,52	0,65	0,73	6,74
4	5,5	132M	39,8	6,5	2,2	2,5	0,0566	30	66	66,0	52,0	960	86,0	86,8	86,8	0,53	0,66	0,74	8,99
7,5	10	160M/L	73,9	6,6	2,5	2,9	0,1614	19	42	94,0	56,0	970	87,5	90,1	90,1	0,61	0,74	0,81	14,8
11	15	160M/L	108	7,0	2,8	3,0	0,1891	13	29	124	56,0	970	90,0	91,2	91,2	0,60	0,73	0,80	21,8
15	20	180M/L	147	7,7	2,6	3,2	0,3310	10	22	177	56,0	975	91,3	91,7	92,0	0,65	0,78	0,84	28,0
18,5	25	200M/L	181	6,3	2,3	2,5	0,3861	17	37	189	58,0	975	91,3	92,7	93,0	0,67	0,78	0,82	35,0
22	30	200M/L	216	6,2	2,3	2,6	0,4388	15	33	198	58,0	975	91,2	92,9	93,0	0,65	0,75	0,82	41,6

Optional Frames

1,1	1,5	112M	11,0	5,9	2,3	2,8	0,0220	28	62	39,0	52,0	955	84,0	85,0	85,0	0,52	0,64	0,72	2,59
1,5	2	112M	14,9	6,0	2,1	2,8	0,0202	28	62	42,0	52,0	960	84,5	85,5	85,5	0,51	0,63	0,71	3,57
2,2	3	132S	21,7	5,7	1,8	2,7	0,0393	30	66	63,0	53,0	970	86,0	87,5	87,5	0,52	0,64	0,72	5,04
3	4	132M	29,6	6,0	1,9	2,5	0,0453	28	62	61,0	53,0	970	86,5	88,0	88,0	0,52	0,65	0,73	6,74

VIII Poles

0,12	0,16	71	1,76	2,4	1,8	2,0	0,0009	30	66	11,5	41,0	650	44,0	50,0	52,5	0,35	0,43	0,50	0,660
0,18	0,25	80	2,53	3,3	2,0	2,2	0,0029	30	66	13,5	42,0	680	51,0	57,0	58,5	0,45	0,55	0,65	0,683
0,25	0,33	80	3,51	3,3	2,0	2,2	0,0034	30	66	14,5	42,0	680	53,0	58,0	60,0	0,45	0,56	0,66	0,911
0,37	0,5	90S/L	5,12	3,7	2,1	2,4	0,0055	30	66	19,0	43,0	690	61,0	66,0	66,0	0,41	0,53	0,62	1,31
0,55	0,75	90S/L	7,67	3,6	1,8	2,1	0,0066	29	64	23,0	43,0	685	63,0	66,5	66,5	0,44	0,57	0,67	1,78
0,75	1	100L	10,1	4,6	1,9	2,3	0,0127	30	66	30,5	50,0	710	72,5	75,5	75,5	0,41	0,53	0,62	2,31
1,1	1,5	100L	14,9	4,6	2,1	2,4	0,0143	30	66	33,0	50,0	705	73,0	76,0	76,0	0,41	0,53	0,62	3,37
1,5	2	112M	20,3	5,0	2,5	2,8	0,0238	28	62	43,0	46,0	705	79,0	80,5	80,5	0,45	0,59	0,68	3,96
2,2	3	132S	29,6	6,2	2,3	2,5	0,0690	27	59	69,0	48,0	710	82,0	82,6	82,6	0,51	0,65	0,72	5,34
3	4	132M	40,4	6,4	2,4	2,6	0,0838	21	46	75,0	48,0	710	82,5	83,5	83,5	0,51	0,64	0,72	7,20
4	5,5	160M/L	52,4	5,2	2,5	2,8	0,1221	27	59	98,0	51,0	730	83,0	86,2	86,6	0,40	0,52	0,62	10,8
5,5	7,5	160M/L	72,0	5,6	2,5	2,8	0,1652	22	48	118	51,0	730	85,0	87,7	87,7	0,42	0,55	0,65	13,9
7,5	10	160M/L	98,8	5,2	2,0	2,4	0,1652	19	42	133	51,0	725	87,5	88,9	88,9	0,54	0,66	0,73	16,7
11	15	180M/L	145	7,5	2,4	2,6	0,3034	12	26	167	51,0	725	90,0	90,3	90,3	0,62	0,73	0,80	22,0
15	20	200M/L	196	5,0	2,0	2,2	0,5023	28	62	270	53,0	730	89,5	91,4	91,5	0,53	0,65	0,71	33,3



IE3 - Premium Efficiency - 50 Hz IEC 60034-30

Output		380 V								415 V							
		Rated speed (rpm)	% of full load						Full load current In (A)	Rated speed (rpm)	% of full load						Full load current In (A)
			Efficiency			Power Factor					Efficiency			Power Factor			
kW	HP	50	75	100	50	75	100	50	75	100	50	75	100	50	75	100	

VI Poles

0,12	0,16	890	48,7	54,7	55,1	0,47	0,58	0,68	0,487	910	43,9	51,4	54,2	0,42	0,52	0,61	0,505
0,18	0,25	885	57,7	62,8	61,6	0,43	0,55	0,64	0,694	910	54,5	61,2	61,9	0,38	0,48	0,57	0,710
0,25	0,33	865	62,4	65,2	63,6	0,42	0,55	0,64	0,933	890	57,6	62,8	63,8	0,37	0,48	0,57	0,956
0,37	0,5	915	67,6	69,9	68,6	0,55	0,69	0,79	1,04	930	64,3	68,8	69,7	0,48	0,62	0,72	1,03
0,55	0,75	915	69,9	73,0	72,2	0,54	0,69	0,78	1,48	930	66,0	71,6	73,1	0,47	0,61	0,71	1,47
0,75	1	930	77,5	79,2	78,9	0,53	0,66	0,74	1,95	945	75,3	78,6	79,1	0,46	0,59	0,69	1,91
1,1	1,5	940	81,2	80,9	81,0	0,55	0,68	0,75	2,75	950	79,9	80,9	81,5	0,48	0,62	0,70	2,68
1,5	2	945	82,3	82,6	82,5	0,53	0,66	0,74	3,73	955	80,6	82,3	82,8	0,46	0,59	0,68	3,71
2,2	3	945	83,6	84,4	84,3	0,57	0,68	0,75	5,29	955	82,3	84,3	84,7	0,50	0,62	0,70	5,16
3	4	965	87,5	88,0	88,0	0,56	0,69	0,76	6,82	975	85,8	87,8	87,8	0,49	0,62	0,71	6,70
4	5,5	955	86,6	86,9	86,8	0,57	0,70	0,76	9,21	965	85,4	86,6	86,9	0,50	0,63	0,71	9,02
7,5	10	965	88,0	89,7	89,9	0,65	0,77	0,82	15,5	975	87,0	89,5	90,1	0,58	0,71	0,79	14,7
11	15	970	90,5	91,0	91,0	0,65	0,77	0,83	22,1	975	90,0	91,2	91,2	0,57	0,70	0,78	21,5
15	20	970	91,5	91,5	91,5	0,68	0,80	0,85	29,3	975	91,6	92,0	92,3	0,69	0,80	0,85	26,6
18,5	25	970	91,8	92,6	92,7	0,72	0,81	0,84	36,1	980	90,8	92,6	93,0	0,64	0,75	0,80	34,6
22	30	970	92,0	92,9	92,9	0,70	0,78	0,84	42,8	980	90,4	92,2	93,0	0,60	0,72	0,80	41,1

Optional Frames

1,1	1,5	950	85,0	85,4	85,0	0,55	0,70	0,77	2,55	955	83,2	84,5	84,9	0,48	0,62	0,70	2,58
1,5	2	955	85,1	85,4	84,9	0,54	0,66	0,74	3,63	960	84,0	85,4	85,8	0,48	0,60	0,69	3,52
2,2	3	965	86,5	87,5	87,1	0,55	0,67	0,74	5,19	973	85,6	87,4	87,7	0,48	0,61	0,70	4,99
3	4	965	87,5	88,0	88,0	0,56	0,69	0,76	6,82	975	85,8	87,8	87,8	0,49	0,62	0,71	6,70

VIII Poles

0,12	0,16	635	46,6	51,7	52,9	0,38	0,46	0,54	0,638	655	41,8	48,2	51,4	0,34	0,41	0,48	0,677
0,18	0,25	670	52,8	58,0	58,4	0,48	0,59	0,69	0,679	685	49,3	56,0	58,2	0,43	0,53	0,62	0,694
0,25	0,33	670	54,9	58,9	59,7	0,48	0,60	0,70	0,909	685	51,3	56,9	59,7	0,43	0,53	0,63	0,925
0,37	0,5	680	62,9	66,9	65,8	0,44	0,56	0,66	1,29	695	59,0	64,7	65,7	0,39	0,50	0,59	1,33
0,55	0,75	675	64,8	67,0	65,7	0,48	0,61	0,70	1,82	690	61,4	65,7	66,6	0,42	0,54	0,64	1,80
0,75	1	705	73,9	76,1	75,1	0,44	0,57	0,66	2,30	715	71,1	74,8	75,5	0,38	0,50	0,59	2,34
1,1	1,5	700	74,9	76,8	75,8	0,45	0,58	0,66	3,34	710	71,1	74,9	75,7	0,38	0,50	0,59	3,43
1,5	2	700	79,9	80,6	79,8	0,49	0,63	0,71	4,02	710	77,9	80,2	80,8	0,42	0,56	0,65	3,97
2,2	3	705	82,9	82,6	81,9	0,57	0,68	0,76	5,37	715	81,2	82,3	82,9	0,48	0,62	0,70	5,27
3	4	705	83,4	83,7	82,9	0,56	0,68	0,75	7,33	715	81,5	83,2	83,7	0,48	0,61	0,70	7,12
4	5,5	730	84,0	86,2	86,6	0,44	0,57	0,66	10,6	735	82,0	86,2	86,6	0,37	0,49	0,58	11,1
5,5	7,5	725	86,0	87,7	87,7	0,46	0,60	0,69	13,8	730	84,0	87,7	87,7	0,40	0,52	0,62	14,1
7,5	10	720	88,0	88,9	88,7	0,58	0,70	0,76	16,9	725	87,5	88,9	88,9	0,50	0,62	0,71	16,5
11	15	725	90,0	90,3	90,0	0,66	0,76	0,81	22,9	730	90,0	90,3	90,3	0,58	0,71	0,78	21,7
15	20	730	90,0	91,0	91,2	0,56	0,67	0,73	34,2	735	89,0	91,4	91,3	0,50	0,63	0,69	33,1



IE1 - Standard Efficiency - 60 Hz

IEC 60034-30

Output		Frame	Full Load Torque (Nm)	Locked Rotor Current I/In	Locked Rotor Torque Tl/Tn	Break-down Torque Tb/Tn	Inertia J (kgm ²)	Allowable locked rotor time (s)		Weight (kg)	Sound dB(A)	380 V						Full load current In (A)	
								Rated speed (rpm)	% of full load			Power Factor							
									Efficiency			Power Factor							
kW	HP							Hot	Cold			50	75	100	50	75	100		
II Poles																			
0,12	0,16	63	0,337	4,2	2,5	2,8	0,0001	13	29	6,5	56	3400	45,0	54,0	58,5	0,51	0,61	0,73	0,427
0,18	0,25	63	0,510	4,3	2,4	2,6	0,0001	13	29	6,5	56	3370	52,0	58,0	62,0	0,53	0,65	0,76	0,579
0,25	0,33	63	0,715	4,0	2,2	2,4	0,0001	9	20	7,0	56	3340	53,0	60,0	63,0	0,54	0,68	0,79	0,764
0,37	0,5	63	1,06	4,3	2,4	2,4	0,0002	9	20	7,5	56	3340	59,0	65,0	66,0	0,54	0,69	0,79	1,08
0,55	0,75	71	1,56	5,1	2,4	2,6	0,0003	8	18	10,0	60	3370	64,0	68,5	70,0	0,64	0,77	0,85	1,41
0,75	1	71	2,12	6,4	3,1	3,2	0,0005	12	26	11,0	60	3380	75,0	77,0	77,1	0,70	0,81	0,88	1,68
1,1	1,5	80	3,10	7,0	3,5	3,1	0,0007	15	33	14,0	62	3395	76,0	78,2	78,6	0,65	0,76	0,83	2,56
1,5	2	80	4,25	6,9	3,4	3	0,0009	12	26	15,0	62	3370	80,8	81,3	81,2	0,69	0,80	0,86	3,27
2,2	3	90S/L	6,07	7,8	3	3	0,0021	6	13	16,5	68	3465	78,5	80,0	81,6	0,65	0,76	0,82	5,00
3	4	90S/L	8,31	7,6	3,3	3,6	0,0027	7	15	23,0	68	3450	83,2	84,5	84,0	0,65	0,76	0,82	6,60
3,7	5	100L	10,1	8,5	3,2	4	0,0056	10	22	32,0	71	3485	82,0	84,8	85,6	0,73	0,82	0,87	7,53
4,5	6	112M	12,4	7,0	2,5	3,2	0,0065	13	29	36,0	69	3465	84,0	85,1	86,5	0,70	0,81	0,86	9,21
5,5	7,5	112M	15,0	8,0	2,6	3,4	0,0084	11	24	41,0	69	3500	85,1	86,7	86,7	0,72	0,80	0,87	11,1
7,5	10	132S	20,3	8,0	2,7	3,3	0,0224	16	35	64,0	72	3530	85,2	87,3	87,9	0,75	0,85	0,88	14,7
9,2	12,5	132M	25,0	7,5	2,4	3	0,0215	13	29	67,0	72	3520	87,0	87,8	88,0	0,77	0,84	0,88	18,1
11	15	132M	29,9	8,2	2,6	3,3	0,0280	7	15	72,0	72	3520	87,0	88,7	88,7	0,75	0,84	0,88	21,4
Optional Frames																			
0,37	0,5	71	1,03	6,3	3,0	3,2	0,0003	9	20	10,0	60	3420	60,0	65,0	68,0	0,63	0,76	0,84	0,984
0,55	0,75	80	1,55	6,7	2,6	2,7	0,0007	10	22	13,0	62	3400	65,0	70,4	71,3	0,70	0,81	0,85	1,38
0,75	1	80	2,10	7,0	2,6	3	0,0008	14	31	14,0	62	3405	69,5	74,0	77,1	0,67	0,79	0,86	1,72
1,5	2	90S/L	4,15	7,5	2,7	3,2	0,0016	13	29	17,0	68	3450	75,5	79,0	81,1	0,73	0,82	0,86	3,27
3	4	100L	8,21	7,5	2,8	3,2	0,0056	11	24	31,0	71	3490	78,5	81,5	83,0	0,75	0,84	0,88	6,25
3,7	5	112M	10,2	7,3	2,2	2,7	0,0073	12	26	40,0	69	3470	82,0	84,0	85,1	0,80	0,87	0,89	7,41
5,5	7,5	132S	15,0	6,5	2	2,9	0,0168	24	53	63,0	72	3500	83,0	85,5	86,5	0,79	0,86	0,89	10,8
IV Poles																			
0,09	0,12	63	0,499	5,2	3,2	3,4	0,0005	22	48	7,0	48	1725	45,0	53,0	55,0	0,44	0,52	0,61	0,408
0,12	0,16	63	0,667	4,5	3	3,2	0,0004	27	59	7,0	48	1720	47,0	55,0	57,0	0,46	0,55	0,62	0,516
0,18	0,25	63	1,02	4,5	2,5	2,6	0,0005	22	48	7,5	48	1690	55,0	62,0	63,0	0,44	0,56	0,65	0,666
0,25	0,33	63	1,41	4,6	2,4	2,4	0,0007	25	55	8,0	48	1690	59,0	64,0	67,0	0,46	0,57	0,66	0,857
0,37	0,5	71	2,10	4,3	2,3	2,5	0,0008	12	26	10,0	47	1680	58,0	65,0	68,0	0,46	0,59	0,69	1,20
0,55	0,75	71	3,13	4,8	2,5	2,5	0,0010	12	26	11,5	47	1680	65,0	69,0	72,0	0,48	0,61	0,71	1,63
0,75	1	80	4,17	7,2	2,5	2,9	0,0029	11	24	15,0	48	1720	75,3	79,0	79,5	0,62	0,74	0,82	1,75
1,1	1,5	80	6,11	6,8	2,6	2,9	0,0033	8	18	16,5	48	1720	76,0	79,0	79,5	0,57	0,71	0,80	2,63
1,5	2	90S/L	8,24	6,4	2,5	3	0,0056	7	15	19,0	51	1740	80,0	81,5	81,5	0,60	0,72	0,78	3,51
2,2	3	90S/L	12,2	6,8	2,6	2,8	0,0067	8	18	23,0	51	1725	83,1	84,0	83,1	0,64	0,75	0,80	5,03
3	4	100L	16,6	7,5	2,6	2,8	0,0092	9	20	35,0	54	1725	82,5	84,1	84,1	0,61	0,73	0,80	6,77
3,7	5	100L	20,6	7,2	2,9	3,1	0,0100	9	20	35,0	54	1715	85,1	85,5	85,5	0,63	0,75	0,81	8,11
4,5	6	112M	24,6	7,4	2,2	2,8	0,0174	15	33	45,0	58	1745	86,0	86,5	86,2	0,66	0,77	0,82	9,67
5,5	7,5	112M	30,2	7,0	2,2	2,8	0,0174	15	33	45,5	58	1740	86,6	88,0	88,0	0,63	0,74	0,82	11,6
7,5	10	132S	40,7	8,0	2,2	3	0,0465	7	15	62,0	61	1760	87,0	88,0	89,0	0,66	0,77	0,83	15,4
9,2	12,5	132M	50,1	8,7	2,5	2,9	0,0543	7	15	72,0	61	1755	87,0	88,2	88,5	0,62	0,73	0,82	19,3
11	15	132M	59,9	8,3	2,3	2,8	0,0582	7	15	73,0	61	1755	87,0	88,6	88,6	0,68	0,80	0,83	22,8
Optional Frames																			
0,25	0,33	71	1,40	4,8	2,4	2,9	0,0006	14	31	9,0	47	1710	50,0	58,0	63,0	0,47	0,58	0,67	0,897
0,55	0,75	80	3,02	6,8	3	3,4	0,0024	9	20	14,0	48	1740	59,0	66,0	70,0	0,50	0,65	0,75	1,59
1,1	1,5	90S/L	6,15	6,6	2,6	2,8	0,0039	10	22	17,0	51	1710	74,0	77,5	79,5	0,60	0,73	0,80	2,63
2,2	3	100L	12,2	7,0	2,8	3	0,0077	11	24	28,0	54	1725	80,0	82,0	83,1	0,58	0,71	0,79	5,09
3,7	5	112M	20,4	7,4	2,4	3	0,0161	14	31	44,0	58	1735	82,0	84,0	85,1	0,68	0,80	0,84	7,86
5,5	7,5	132S	29,9	7,7	2,1	3	0,0349	8	18	63,0	61	1760	85,0	86,0	87,0	0,61	0,73	0,82	11,6



IE1 - Standard Efficiency - 60 Hz
IEC 60034-30

Output		Frame	Full Load Torque (Nm)	Locked Rotor Current I/In	Locked Rotor Torque Tl/Tn	Break-down Torque Tb/Tn	Inertia J (kgm2)	Allowable locked rotor time (s)		Weight (kg)	Sound dB(A)	Rated speed (rpm)	380 V					
								% of full load					Full load current In (A)					
								Efficiency					Power Factor					
kW	HP	50	75	100	50	75	100											

VI Poles

0,12	0,16	63	1,01	3,3	2,4	2,4	0,0007	20	44	8,0	47	1130	36,0	42,0	46,3	0,46	0,52	0,58	0,677
0,18	0,25	71	1,62	2,8	1,7	1,9	0,0006	31	68	10,0	47	1060	45,0	49,0	52,0	0,46	0,54	0,65	0,811
0,25	0,33	71	2,23	2,8	1,9	2	0,0008	30	66	11,0	47	1070	48,0	54,0	58,0	0,43	0,52	0,63	1,04
0,37	0,5	80	3,13	3,9	2	2,1	0,0021	10	22	14,0	47	1130	46,0	55,0	59,0	0,46	0,57	0,66	1,44
0,55	0,75	80	4,65	4,5	2,2	2,4	0,0033	10	22	15,5	47	1130	58,0	61,0	66,0	0,46	0,57	0,71	1,78
0,75	1	90S/L	6,34	5,3	2,3	2,7	0,0050	16	35	19,0	49	1130	70,5	74,3	74,5	0,48	0,61	0,70	2,18
1,1	1,5	90S/L	9,30	5,3	2,5	2,7	0,0056	10	22	20,0	49	1130	71,0	74,5	75,1	0,48	0,60	0,70	3,18
1,5	2	100L	12,5	5,8	2,4	2,8	0,0112	19	42	28,5	53	1150	75,0	77,2	78,0	0,48	0,61	0,70	4,17
2,2	3	100L	18,4	5,5	2,4	2,7	0,0129	13	29	34,0	53	1140	77,0	78,5	78,6	0,54	0,64	0,72	5,91
3	4	112M	24,9	6,0	2,3	2,6	0,0224	15	33	42,0	52	1150	81,0	82,8	83,0	0,57	0,68	0,75	7,29
3,7	5	132S	30,5	6,8	2	2,4	0,0426	13	29	62,0	55	1160	84,0	85,0	84,5	0,55	0,66	0,75	8,86
4,5	6	132S	37,1	6,4	2,1	2,6	0,0504	23	51	65,0	55	1160	83,5	85,4	85,5	0,57	0,69	0,75	10,7
5,5	7,5	132M	45,3	6,6	2,2	2,6	0,0582	20	44	75,0	55	1160	85,1	86,0	86,0	0,58	0,70	0,77	12,6
7,5	10	132M	61,8	6,5	2,1	2,5	0,0659	13	29	76,0	55	1160	85,1	86,2	86,3	0,56	0,68	0,75	17,6

Optional Frames

2,2	3	112M	18,3	6,0	2,2	2,4	0,0187	12	26	40,0	52	1150	76,0	77,5	78,6	0,55	0,66	0,72	5,91
-----	---	------	------	-----	-----	-----	--------	----	----	------	----	------	------	------	------	------	------	------	------

VIII Poles

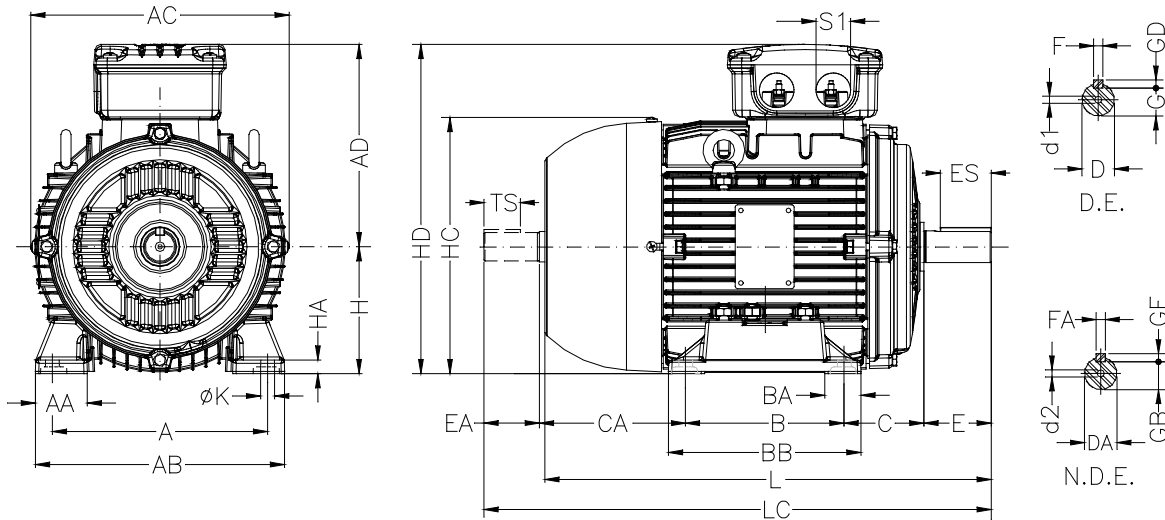
0,12	0,16	71	1,43	2,6	2,0	2,0	0,0008	60	132	11,0	45	800	41,0	46,0	50,5	0,39	0,48	0,54	0,666
0,18	0,25	80	2,05	3,2	2	2,2	0,0024	29	64	14,0	46	840	42,0	50,0	53,0	0,45	0,52	0,65	0,793
0,25	0,33	80	2,84	3,2	2,1	2,3	0,0029	23	51	15,0	46	840	48,0	53,0	56,0	0,41	0,50	0,62	1,09
0,37	0,5	90S/L	4,23	3,3	1,7	2	0,0050	29	64	19,0	47	835	56,0	62,0	65,0	0,42	0,54	0,64	1,35
0,55	0,75	90S/L	6,37	3,4	1,7	1,9	0,0051	19	42	22,0	47	825	58,0	63,0	65,0	0,45	0,56	0,67	1,92
0,75	1	90S/L	8,74	3,6	1,7	1,9	0,0067	21	46	23,0	47	820	67,0	68,0	68,0	0,45	0,60	0,68	2,47
1,1	1,5	100L	12,2	4,2	1,9	2,4	0,0129	32	70	30,0	54	860	71,5	74,1	74,5	0,42	0,53	0,62	3,62
1,5	2	112M	16,8	5,0	2,4	2,6	0,0187	34	75	37,0	50	855	75,5	78,5	79,0	0,45	0,57	0,66	4,37
2,2	3	132S	24,4	6,0	2,1	2,6	0,0602	25	55	65,0	52	860	78,5	79,8	80,0	0,53	0,66	0,74	5,64
3	4	132M	33,1	7,3	2,5	3	0,0853	19	42	75,0	52	865	80,0	83,0	83,0	0,53	0,65	0,72	7,64





Mechanical Data

Foot Mounted Motors



Frame	A	AA	AB	AC	AD	B	BA	BB	C	CA	Shaft Dimensions											H	HA	HC	HD	K	L	LC	S1	d1	d2	Bearings			
											D	E	ES	F	G	GD	DA	EA	TS	FA	GB											GF	D.E.	O.D.E.	
63	100	19	116	125	119	80	23	95	40	78	11j6	23	14	4	8.5	4	9j6	20	12	3	7.2	3	63	6	124	182	6	216	241			EM4	EM3	6201-ZZ	
71	112	28	134	141	127	90	24.5	108	45	88	14j6	30	18	5	11	5	11j6	23	14	4	8.5	4	71	8	139	198		248	276	2xM20x1.5	DM5	EM4	6203-ZZ	6202-ZZ	
80	125	32	155	159	136	100	28	124	50	93	19j6	40	28	6	15.5	6	14j6	30	18		11		80	8	157	216		276	313	2xM20x1.5	DM6	DM4	6204-ZZ	6203-ZZ	
90S/L	140	35	170	179	155	125	24	146	56	129	24j6	50	36		20		16j6	40	28	5	13	5	90	9	177	245	10	330	375	2xM25x1.5	DM8	DM6	6205-ZZ	6204-ZZ	
100L	160	40	196	200	165	140	30		63	118	28j6	60	45		24	7	22j6	50	36	6	18.5	6	100	12	198	265		376	431		DM10	DM8	6206-ZZ	6205-ZZ	
112M	190	46	220	223	184	140	50	170	70	128							24j6					20	112	12	235	296		393	448				6307-ZZ	6206-ZZ	
132S	216	44	248	270	212	178	32	210	89	188	38k6	80	63	10	33	8	28j6	60	45	8	24	7	132	12	274	344		490	557	2xM32x1.5	DM12	DM10	6308-ZZ	6207-ZZ	
132M	216	44	248	270	212	178	32	210	89	150	38k6	80	63	10	33	8	28j6	60	45	8	24	7	132	12	274	344		490	557	2xM32x1.5	DM12	DM10	6308-ZZ	6207-ZZ	
160M/L	216	62	308	347	255	210	60	298	108	218	42k6			12	37	8	42k6	110	80	12	37	8	160	18	313	414	14.5	634	756	2xM40x1.5	DM16	DM16	6309-C3	6209-Z-C3	
180M/L	279	68	350	306	274	241	49	322	121	238	48k6	110	80	14	42.5	9		110	80	14		42.5	9	180	20	354	454		694	820	2xM40x1.5		6311-C3	6211-Z-C3	
200M/L	318	73	385	386	300	267	60	370	133	260	55m6			16	49	10		110	80	14		42.5	9	200	25	393	500	18.5	758	880	2xM50x1.5	DM20	DM20	6312-C3	6212-Z-C3

*The following motors have longer lamination core length, and consequently, a larger frame.

Standard frames:

100L (IE3 – 3.0 kW, 4 poles) - L dimension is 420 mm and LC dimension is 475 mm

Optional frames:

80 (IE2 – 1.1 kW, 4 poles) - L dimension is 325 mm and LC dimension is 362 mm

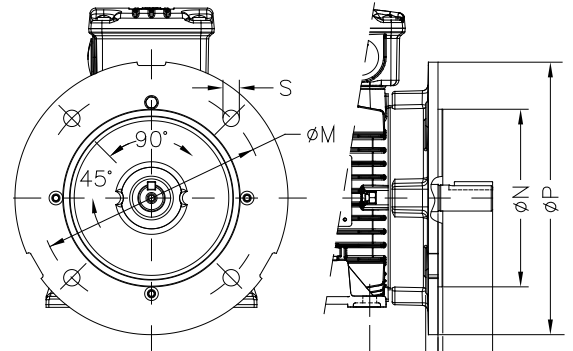
90S/L (IE2 – 3.0 kW, 2 poles and IE2 – 2.2 kW, 4 poles) - dimension is 360 mm and LC dimension is 406 mm

112M (IE2 – 7.5 kW, 2 poles and 5.5 kW, 4 poles) - L dimension is 423 mm and LC dimension is 478 mm

Flange mounted motors

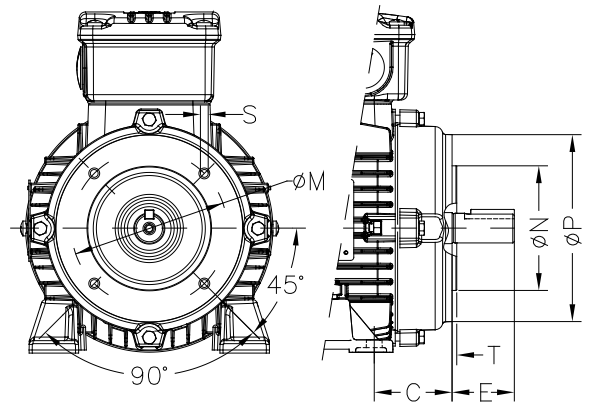
“FF” Flange

Frame	"FF" Flange Dimensions									n° of Holes
	Flange	C	LA	M	N	P	T	S	a	
63	FF-115	40	9	115	95	140	3	10	45°	4
71	FF-130	45		130	110	160	3.5			
80	FF-165	50	10	165	130	200		4		
90S/L		56								
100L	FF-215	63	11	215	180	250	5	19		
112M		70								
132S/M	FF-265	89	12	265	230	300	5	19		
160M/L	FF-300	108	18	300	250	350				
180M/L		121								
200M/L	FF-350	133	350	300	400					

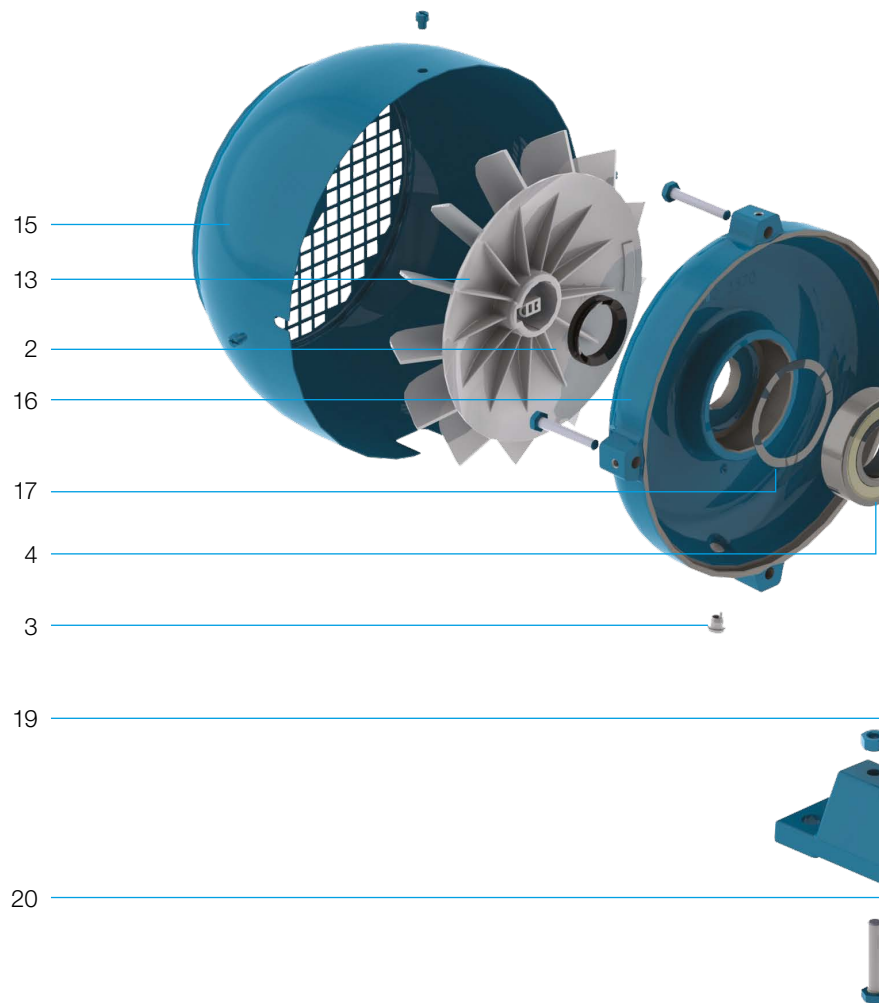


“FC-Din” Flange

Frame	"C" DIN Flange Dimensions							n° of Holes
	Flange	C	M	N	P	S	T	
63	C--90	40	75	60	90	M5	2.5	4
71	C-105	45	85	70	105	M6		
80	C-120	50	100	80	120		M8	
90S/L	C-140	56	115	95	140			
100L	C-160	63	130	110	160	M10	3.5	
112M		70						
132S/M	C-200	89	165	130	200			

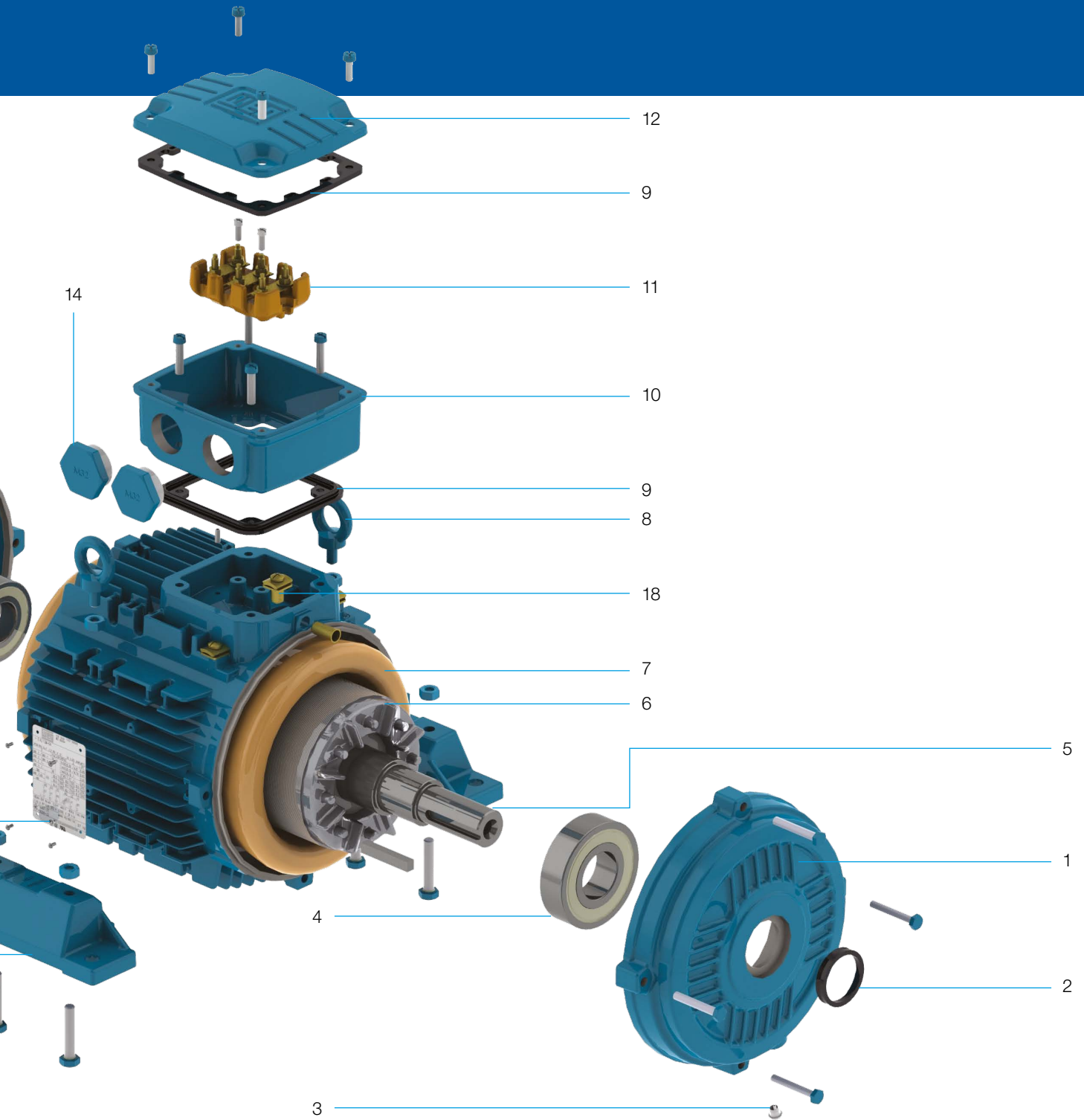


Visual Index



- 1 - Drive endshield
- 2 - Bearing seal (v'ring)
- 3 - Drain plug
- 4 - Bearing
- 5 - Shaft

- 6 - Squirrel cage rotor
- 7 - Wound stator
- 8 - Eye bolts
- 9 - Rubber gasket
- 10 - Terminal box



- 11 - Terminal block
- 12 - Terminal box cover
- 13 - Fan
- 14 - Closing plugs
- 15 - Fan cover

- 16 - Non-drive endshield
- 17 - Spring washer
- 18 - Grounding terminal
- 19 - Nameplate
- 20 - Removable feet

WEG Worldwide Operations

ARGENTINA

WEG EQUIPAMIENTOS
ELECTRICOS
San Francisco - Cordoba
Phone: +54 3564 421 484
info-ar@weg.net
www.weg.net/ar

WEG PINTURAS - Pulverlux
Buenos Aires
Phone: +54 11 4299 8000
tintas@weg.net

AUSTRALIA

WEG AUSTRALIA
Victoria
Phone: +61 3 9765 4600
info-au@weg.net
www.weg.net/au

AUSTRIA

WATT DRIVE - WEG Group
Markt Piesting - Viena
Phone: +43 2633 404 0
watt@wattdrive.com
www.wattdrive.com

BELGIUM

WEG BENELUX
Nivelles - Belgium
Phone: +32 67 88 84 20
info-be@weg.net
www.weg.net/be

BRAZIL

WEG EQUIPAMENTOS ELÉTRICOS
Jaraguá do Sul - Santa Catarina
Phone: +55 47 3276-4002
info-br@weg.net
www.weg.net/br

CHILE

WEG CHILE
Santiago
Phone: +56 2 784 8900
info-cl@weg.net
www.weg.net/cl

CHINA

WEG NANTONG
Nantong - Jiangsu
Phone: +86 0513 8598 9333
info-cn@weg.net
www.weg.net/cn

COLOMBIA

WEG COLOMBIA
Bogotá
Phone: +57 1 416 0166
info-co@weg.net
www.weg.net/co

FRANCE

WEG FRANCE
Saint Quentin Fallavier - Lyon
Phone: +33 4 74 99 11 35
info-fr@weg.net
www.weg.net/fr

GERMANY

WEG GERMANY
Kerpen - North Rhine Westphalia
Phone: +49 2237 9291 0
info-de@weg.net
www.weg.net/de

GHANA

ZEST ELECTRIC GHANA
WEG Group
Accra
Phone: +233 30 27 664 90
info@zestghana.com.gh
www.zestghana.com.gh

INDIA

WEG ELECTRIC INDIA
Bangalore - Karnataka
Phone: +91 80 4128 2007
info-in@weg.net
www.weg.net/in

WEG INDUSTRIES INDIA
Hosur - Tamil Nadu
Phone: +91 4344 301 501
info-in@weg.net
www.weg.net/in

ITALY

WEG ITALIA
Cinisello Balsamo - Milano
Phone: +39 02 6129 3535
info-it@weg.net
www.weg.net/it

JAPAN

WEG ELECTRIC MOTORS
JAPAN
Yokohama City - Kanagawa
Phone: +81 45 550 3030
info-jp@weg.net
www.weg.net/jp

MEXICO

WEG MEXICO
Huehuetoca
Phone: +52 55 5321 4231
info-mx@weg.net
www.weg.net/mx

VOLTRAN - WEG Group
Tizayuca - Hidalgo
Phone: +52 77 5350 9354
www.voltran.com.mx

NETHERLANDS

WEG NETHERLANDS
Oldenzaal - Overijssel
Phone: +31 541 571 080
info-nl@weg.net
www.weg.net/nl

PERU

WEG PERU
Lima
Phone: +51 1 472 3204
info-pe@weg.net
www.weg.net/pe

PORTUGAL

WEG EURO
Maia - Porto
Phone: +351 22 9477705
info-pt@weg.net
www.weg.net/pt

RUSSIA

WEG RUSSIA
Saint Petersburg
Phone: +7 812 363 2172
info-ru@weg.net
www.weg.net/ru

SOUTH AFRICA

ZEST ELECTRIC MOTORS
WEG Group
Johannesburg
Phone: +27 11 723 6000
info@zest.co.za
www.zest.co.za

SPAIN

WEG IBERIA
Madrid
Phone: +34 91 655 30 08
info-es@weg.net
www.weg.net/es

SINGAPORE

WEG SINGAPORE
Singapore
Phone: +65 68589081
info-sg@weg.net
www.weg.net/sg

SCANDINAVIA

WEG SCANDINAVIA
Kungsbacka - Sweden
Phone: +46 300 73 400
info-se@weg.net
www.weg.net/se

UK

WEG ELECTRIC MOTORS U.K.
Worcestershire - England
Phone: +44 1527 596 748
info-uk@weg.net
www.weg.net/uk

UNITED ARAB EMIRATES

WEG MIDDLE EAST
Dubai
Phone: +971 4 813 0800
info-ae@weg.net
www.weg.net/ae

USA

WEG ELECTRIC
Duluth - Georgia
Phone: +1 678 249 2000
info-us@weg.net
www.weg.net/us

ELECTRIC MACHINERY
WEG Group
Minneapolis - Minnesota
Phone: +1 612 378 8000
www.electricmachinery.com

VENEZUELA

WEG INDUSTRIAS VENEZUELA
Valencia - Carabobo
Phone: +58 241 821 0582
info-ve@weg.net
www.weg.net/ve

For those countries where there is not a WEG own operation, find our local distributor at www.weg.net.



Grupo WEG - Motors Business Unit
Jaraguá do Sul - SC - Brazil
Phone: +55 47 3276 4000
motores@weg.net
www.weg.net

